

Department of Engineering
Tim Bryan, P.E., County Engineer

3137 South Liberty Street, Canton, MS 39046
Office (601) 790-2525 FAX (601) 859-3430

MEMORANDUM

July 6, 2021

To: Sheila Jones, Supervisor, District I
Trey Baxter, Supervisor, District II
Gerald Steen, Supervisor, District III
Karl Banks, Supervisor, District IV
Paul Griffin, Supervisor, District V

From: Tim Bryan, P.E., PTOE
County Engineer

Re: Telepak Networks, Inc./D.B.A. Cspire Utility Permit
County Road Name, Glenwild Trail

The Engineering Department recommends approval of permit application for Telepak Networks, Inc./D.B.A. Cspire for all work to be placed by method of directional bore at 42" unless otherwise noted. Work will be completed in the Glenwild area with the purpose of proving high speed fiber internet to homes in the area.

Other following roads listed below.

- Dunbar Trail
- West Park Street
- Glenwild Trail
- Glendwild Circle

SHEILA JONES
District One

TREY BAXTER
District Two

GERALD STEEN
District Three

KARL BANKS
District Four

PAUL GRIFFIN
District Five

Revised: 2/14/2019



PERMIT APPLICATION FOR THE CONSTRUCTION OR ADJUSTMENT OF A UTILITY WITHIN COUNTY ROAD RIGHT-OF-WAY

Utility Information: Utility Name: Telepak Networks / D.B.A Cspire

Address: 1018 Highland Colony PKWY City/State/Zip: Ridgeland MS 39157

Contact Person: Brett Boling Contact's Phone: 6016244578

Project Information: County Road Name: Glenwild Trail

(If located within more than one road right-of-way, use Appendix 1 for additional descriptions)

Beginning Location: 32.516888° -90.067191° Ending Location: 32.516704° -90.067171°

Length of Project: 90 FT Section: 23 Township: 8N Range: 2E

Description of Work: All work will be placed by method of directional bore at 42" unless otherwise noted. Work will be completed in the Glenwild area with the purpose of proving high speed fiber internet to homes in the area.

Check Box if Appendix 1 is to be included as a part of this Application

Whereas the above stated Utility makes application to the **Madison County Board of Supervisors** for a Construction Permit. Attached hereto are drawings and plans for the construction of the above facilities located within Madison County owned public rights-of-way. Once stamped by the Madison County Engineering Department, these plans shall not be changed or altered without written approval of the County Engineer, or his representative. A copy of the approved permit and plans shall be on-site at all times during construction.

The Applicant Utility shall comply with all policies, procedures and construction practices as outlined in *A Policy for The Accommodation of Utility Facilities within the Right-of-Way of all Public County Roads* (hereinafter referred to as the "Policy"), as adopted on November 1, 2005, by the **Madison County Board of Supervisors**, and which is hereby made a part of this Application Agreement.

If facilities are to be located within the Rights-of-Way of the County-Federal or State Aid System, Applicant Utility also agrees to comply with applicable provisions of *S.O.P. No. SA II-2-8, Accommodation of Utilities on Rights-of-Way*, issued by the State Aid Engineer and dated July 1, 2005.

The Applicant Utility understands and agrees that, except as herein granted, no right, title, claim, or easement to said road right-of-way is granted by the issuance of this permit. If this Utility is listed in the general provisions of the Policy, it will be adjusted to comply with same without cost to the County, unless the variance from the Policy has been approved by the granting of the Permit pursuant to this Application.

The Applicant Utility further understands that the Utility's engineering, plant, or other personnel will be responsible for the staking and construction supervision of the work set out above and as shown on the attached plans. If work impacts traffic in any way, the appropriate traffic control shall be installed per the *Manual of Uniform Traffic Control Devices*, Latest Edition.

The Applicant Utility understands that the County Engineer, or his representative, may issue a Stop Work Order at any time if it is deemed that site conditions are not suitable for construction or if any of the requirements of this permit are not being met.

Many County Roads have variable Rights-of-Way and/or no Right-of-Way at all and are maintained under a Prescriptive Easement. It is the sole responsibility of the Applicant Utility to verify the existence and limits of public rights-of-way. If none exists, it is the

Appendix 1

County Road Name: Dunbar Trail
Beginning Location: 32.516401° -90.066802° Ending Location: 32.516364° -90.064547°
Length of Project: 930 FT Section: 23 Township: 8N Range: 2E
Description of Work: All work will be placed by method of directional bore at 42" unless otherwise noted. Work will be completed in the Glenwild area with the purpose of proving high speed fiber internet to homes in the area.

County Road Name: West Park Street
Beginning Location: 32.516364° -90.064547° Ending Location: 32.510103° -90.063628°
Length of Project: 2200 FT Section: 23 Township: 8N Range: 2E
Description of Work: All work will be placed by method of directional bore at 42" unless otherwise noted. Work will be completed in the Glenwild area with the purpose of proving high speed fiber internet to homes in the area.

County Road Name: Glenwild Trail
Beginning Location: 32.512774° -90.066138° Ending Location: 32.514150° -90.066109°
Length of Project: 915 FT Section: 23 Township: 8N Range: 2E
Description of Work: All work will be placed by method of directional bore at 42" unless otherwise noted. Work will be completed in the Glenwild area with the purpose of proving high speed fiber internet to homes in the area.

County Road Name: Glenwild Circle
Beginning Location: 32.511603° -90.064664° Ending Location: 32.510941° -90.066186°
Length of Project: 734 ft Section: 23 Township: 8N Range: 2E
Description of Work: All work will be placed by method of directional bore at 42" unless otherwise noted. Work will be completed in the Glenwild area with the purpose of proving high speed fiber internet to homes in the area.

County Road Name: _____
Beginning Location: _____ Ending Location: _____
Length of Project: _____ Section: _____ Township: _____ Range: _____
Description of Work: _____

responsibility of the Applicant Utility to acquire an easement for their Facilities from the applicable property owner(s). Madison County in no way verifies the limits of Right-of-Way as shown on the permit application.

The Applicant Utility shall be responsible for all future maintenance and repair of the facilities installed under this permit. The Applicant Utility shall make future adjustments to, or relocate, the facilities located within road or highway right-of-way when required for road or highway widening or other road or highway construction at no cost to Madison County. The Applicant Utility shall relocate said utilities within sixty (60) days of notification by County by registered mail, return receipt requested, unless otherwise designated by the County Engineer. Further, any maintenance, repair, or construction shall be done in such a manner as to occasion no unreasonable interference with the normal flow and safety to traffic and at the expense of the utility company. When reasonable care has been taken to locate said utility facilities within the right-of-way, the Applicant Utility understands that any damages caused by routine maintenance and construction by County forces shall be borne by the Applicant Utility.

The Applicant Utility further agrees to indemnify and hold Madison County harmless for any and all claims, accidents, damages, liabilities and expenses occasioned wholly, or in part, by any act or omission of applicant, its agents or employees. In case County shall, without fault on its own part, be made a party to any litigation commenced by or against applicant, then applicant shall protect and hold County harmless, and shall pay all costs, expenses and reasonable attorney's fees incurred or paid by County in connection with said litigation.

All underground facilities shall be installed at a depth equal to or greater than 48" below the lowest adjacent grade.

All pipes carrying liquid shall be encased under County maintained roads.

WITNESS the signature of the Applicant this the 1 day of July, 2021.

By: [Signature]
(Applicant Signature)

Title: C Spire OSP FTTH Engineer

Note: Applicant must be an employee of the Utility named in this application. The Madison County Board of Supervisors will not recognize a Contractor, Subcontractor, Agent, or Consulting Engineer as the Applicant. Utility Company shall be fully responsible for all work performed under this application.

I, or my authorized representative, have reviewed this application and determined that the drawing, sketches, and plans submitted by the Applicant meet the requirements of A Policy for The Accommodation of Utility Facilities within the Right-of-Way of all Public County Roads.

APPROVED
By **timothy.bryan** at 12:30 pm, Jul 14, 2021

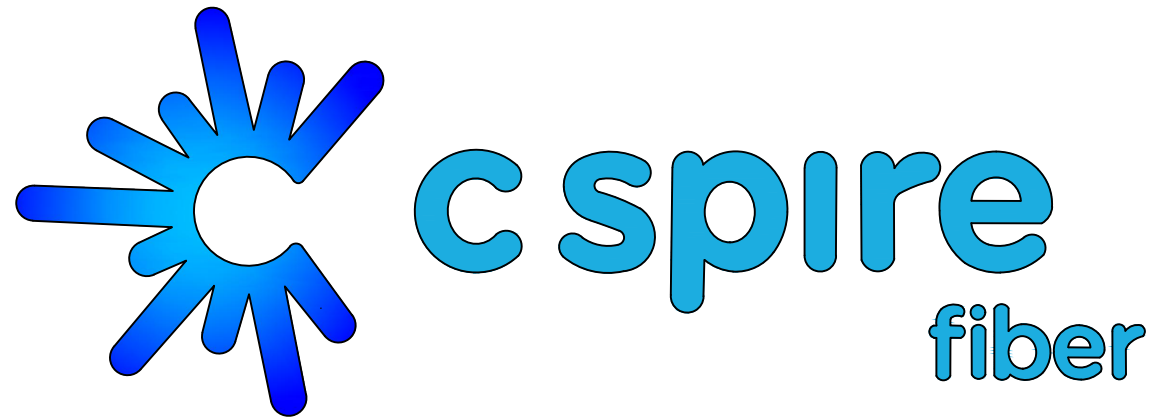
By: **Tim Bryan, P.E.**
County Engineer

AGREED TO AND APPROVED BY:

Madison County Board President

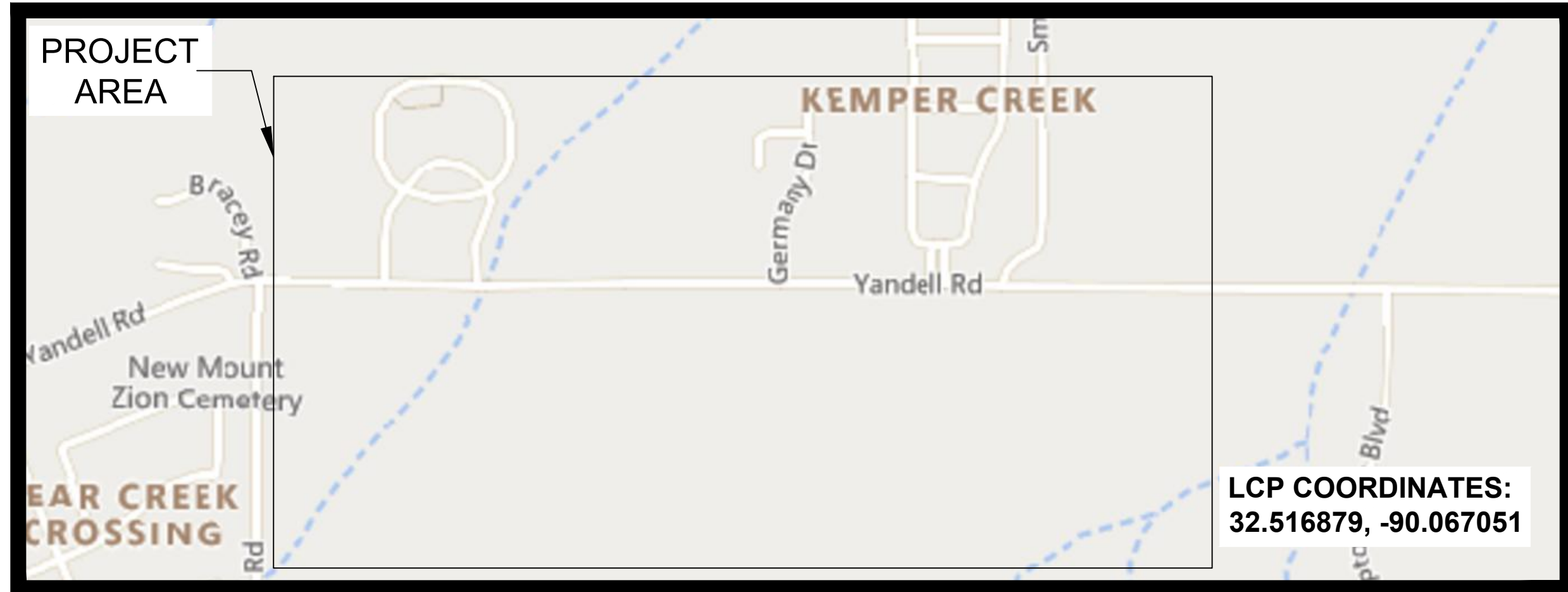
Date: _____

ENTERED INTO THE MINUTES OF THE BOARD OF SUPERVISORS OF MADISON COUNTY, MISSISSIPPI ON THIS _____ DAY OF _____, 20____.



GLENWILD SOUTH OF MADISON CO.

CANTON
MADISON COUNTY, MISSISSIPPI
05/13/21



PERMITS REQUIRED

| | |
|---------------|-----|
| CITY : | N/A |
| COUNTY : | YES |
| ADOT : | N/A |
| FEDERAL : | N/A |
| RAILROAD : | N/A |
| PRIVATE R/W : | N/A |
| MISC : | N/A |

PREPARED BY:





CANTON
MADISON COUNTY, MISSISSIPPI

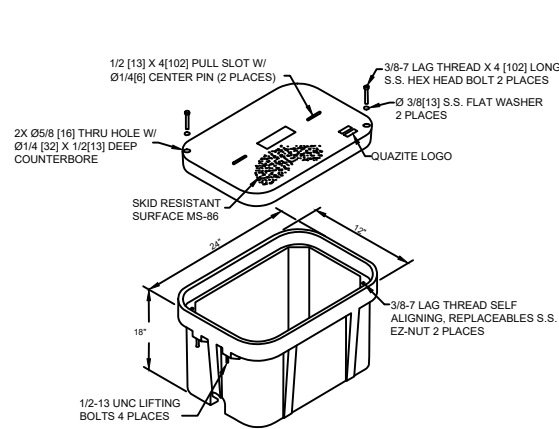
JOB DESCRIPTION

| | |
|---|-----------------------------|
| PROJECT NAME GLENWILD SOUTH OF MADISON CO. | |
| PROJECT CITY CANTON | |
| DATE | DESCRIPTION CONSTRUCTION |
| SHEET TYPICALS | DRAWN BY DELTA FIBER |
| SCALE NTS | PAGE TYPICALS |

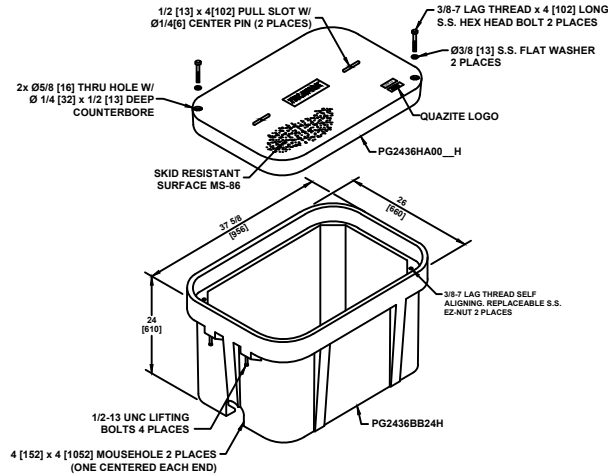
MATERIALS LIST

| ITEM | DESCRIPTION | QTY. |
|------|----------------------|------|
| 1 | TRIDENT RTD 1X12 | |
| 2 | TRIDENT RTD 1X12 | |
| 3 | TRIDENT RTD 1X12 | |
| 4 | TRIDENT RTD 1X12 | |
| 5 | 48 CT FOC | |
| 6 | 48 CT FOC LOOP | |
| 7 | 72 CT FOC | |
| 8 | 72 CT FOC LOOP | |
| 9 | 144 CT FOC | |
| 10 | 144 CT FOC LOOP | |
| 11 | 288 CT FOC | |
| 12 | 288 CT FOC LOOP | |
| 13 | 432 CT FOC | |
| 14 | 432 CT FOC LOOP | |
| 15 | BDO288P LCP | |
| 16 | UH2 | |
| 17 | UH3 | |
| 18 | UH4 | |
| 19 | UH5 | |
| 20 | 1-1.25" SDR11 HDPE | |
| 21 | 2-1.25" SDR11 HDPE | |
| 22 | 3-1.25" SDR11 HDPE | |
| 23 | 4-1.25" SDR11 HDPE | |
| 24 | 5-1.25" SDR11 HDPE | |
| 25 | 6-1.25" SDR11 HDPE | |
| 26 | TYCO "B" SPLICE CASE | |
| 27 | TYCO "D" SPLICE CASE | |
| 28 | GROUND ROD | |
| 29 | SPLICES | |
| 30 | BM53FA | |

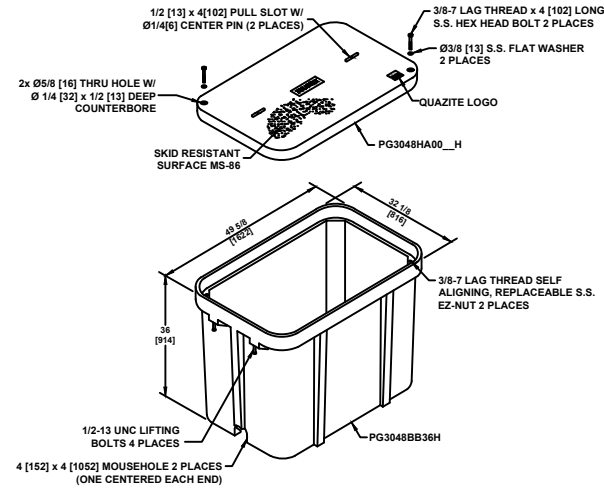
UH-2



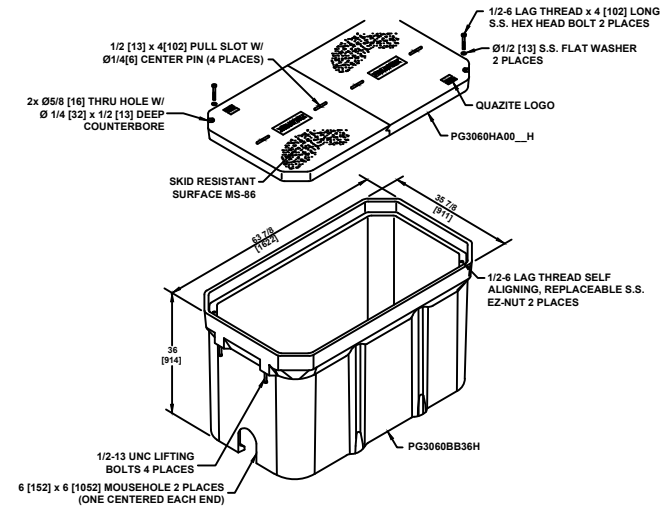
UH-3



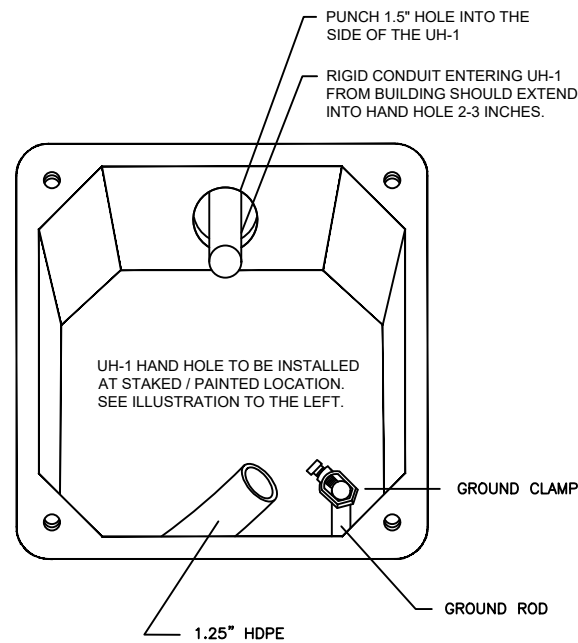
UH-4



UH-5

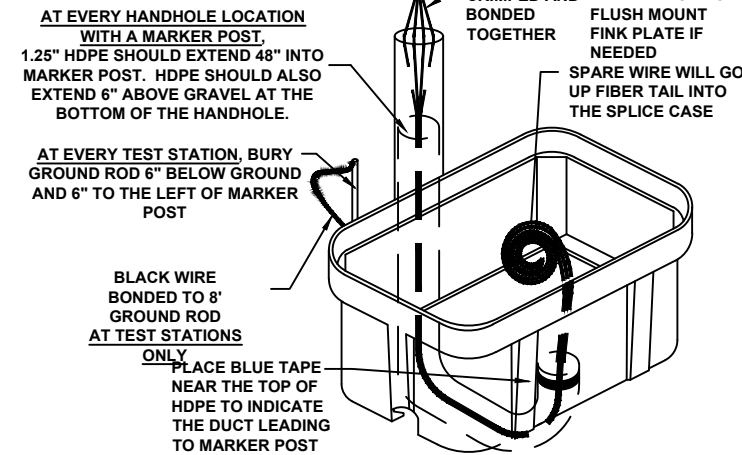


TYPICAL UH-1 / UH-2 HAND HOLE INSTALLATION PROCEDURES AT BUILDING ENTRIES



UH-1 / UH-2 INSTALLATION LOCATION WILL BE MARKED BY A STAKE AND/OR PAINT. CSPiRE/OSP WILL INSTALL CONDUIT 8" UNDERGROUND TO DESIRABLE UH-1 LOCATION.

TYPICAL HAND HOLE INSTALLATION



PIGTAILS ARE TO BE INSTALLED AT TEST STATION (T.S.) ONLY.

HANDHOLES ARE TO BE INSTALLED A MINIMUM OF THREE FEET FROM ANY UTILITY OR POWER POLE.

BOXES (Nestable)

| DESCRIPTION | PART NO. | WEIGHT | DESIGN/TEST LOAD# |
|---------------|------------|-------------|-------------------|
| UH-5 30x60x36 | PG3060Z501 | 933# 423KG. | 15'000 LBS |
| UH-4 30x48x36 | PG3048Z579 | 563# 255KG. | 15'000 LBS |
| UH-3 24x36x24 | PG2436Z905 | 284# 129KG. | 15'000 LBS |

DIMENSIONS ARE IN INCHES OR MILLIMETERS IN BRACKETS UNLESS OTHERWISE NOTED.

NOTES:

- THIS ASSEMBLY IS RATED FOR A STATIC DESIGN LOAD OF 15,000 LBS. [66,720 N] OVER A 10 [254] X 10 [254] AREA AND MUST PASS A MIN. STATIC TEST LOAD OF 22,500 LBS. [100,085 N].
- ALL ENCLOSURES, BOXES AND COVERS, ARE REQUIRED TO CONFORM TO ALL TEST PROVISIONS OF ANSI/SCTE 77 2007 "SPECIFICATION FOR UNDERGROUND ENCLOSURE INTEGRITY" AS MANUFACTURED BY QUAZITE OR EQUIVALENT WITH TELEPAK NETWORK'S ENGINEER'S SIGNED APPROVAL. THE COVERS MUST BE RATED FOR TIER 15 APPLICATIONS AND BOXES RATED FOR TIER 22 APPLICATIONS AND IN NO ASSEMBLY CAN THE COVER DESIGN LOAD EXCEED THE DESIGN LOAD OF THE BOX. ALL COMPONENTS IN AN ASSEMBLY (BOX & COVER) ARE MANUFACTURED USING MATCHED SURFACE TOOLING. ALL COVERS ARE REQUIRED TO HAVE A MINIMUM COEFFICIENT OF FRICTION OF 0.50 IN ACCORDANCE WITH ASTM C 1028 AND HAVE TIER 15 AND "TELEPAK NETWORKS 800-342-3716" EMBOSSED ON THE TOP SURFACE. ALL COVER BOLTS TO BE SELF-CLEANING AUGER BOLT ASSEMBLIES.

ALL CABLE WILL BE PLACED BY METHOD OF DIRECTIONAL BORE MIN 2' OFF ROW OR EASEMENT @ 42" DOC UNLESS OTHERWISE NOTED.

NOTIFY ALL UTILITIES 72 HOURS PRIOR TO CONSTRUCTION ACTIVITY.
ONE CALL SYSTEM @ 1-800-227-6477

REVISIONS

| No. | Revision/Issue | Date |
|-----|----------------|------|
| | | |
| | | |
| | | |

| MAP NUMBER | |
|------------|--|
| | |
| | |
| | |

PREPARED BY



PREPARED FOR



DISCLAIMER

EXCEPT AS MAY BE OTHERWISE PROVIDED BY CONTRACT, THESE DRAWINGS AND SPECIFICATIONS SHALL REMAIN THE PROPERTY OF CSPiRE FIBER. BEING ISSUED IN STRICT CONFIDENCE AND SHALL NOT BE REPRODUCED, COPIED, OR USED FOR ANY PURPOSE WITHOUT SPECIFIC WRITTEN PERMISSION.



SYMBOLS KEY

| | | |
|---|--|-------------------------------------|
| DIRECTIONAL BORE | RAILROAD TRACKS | PROPERTY LINE |
| AERIAL CABLE | AUXILLARY TRACKS | EDGE OF PAVEMENT |
| PLOW OR BURIED CABLE | CENTERLINE | BACK OF CURB |
| DIRECTIONAL BORE 5" HDPE | WOOD LINE | WHITE LINE |
| PVC OR SPLIT PVC CONDUIT | DITCH LINE | RIGHT-OF-WAY LINE |
| ASTMA 139 GRADE B STEEL | TOP OF SLOPE | TAX DISTRICT BOUNDARY |
| JACK AND BORE | TOE OF SLOPE | PROBE (DEPTH AS INDICATED) |
| CORE BORE | AERIAL UTILITY (ELECTRIC) | PERMIT TRACKING FORM IDENTIFIER |
| EXISTING TELEPAK CABLE | UNDERGROUND UTILITY (TELEPHONE) (PARTIAL CAPSULE INDICATES COVER DEPTH IN INCHES) | |
| PROPOSED HANDHOLE | CAUTION NOTES | |
| HANDHOLE (CABLE IN HDPE) | WATER VALVE | |
| HH (CABLE IN PVC CONDUIT) | WATER METER | |
| HANDHOLE (CABLE IN GSP CONDUIT) | GAS VALVE | |
| MANHOLE | FIRE HYDRANT | |
| MANHOLE (CABLE IN HDPE) | STORM DRAIN | |
| MANHOLE (CABLE IN PVC CONDUIT) | SEWER MANHOLE | |
| MANHOLE (CABLE IN BSP/GSP CONDUIT) | CULVERT | |
| H-FRAME | BOX CULVERT | |
| BORE PIT | CITY, COUNTY OR STATE BOUNDARY LINE | |
| LIGHTNING ARRESTOR | R.R. CROSSING SIGNAL | PUSH BRACE |
| AC/DC FILTER PROTECTION | R.R. SIGNAL ARM | JOINT USE POLE |
| ALUMINUM HUB STYLE MARKER | U/G TRANSFORMER | TELEPHONE POLE |
| STEEL MARKER | STREET/SIGNAL LIGHT | CONCRETE POLE |
| FLAT COMPOSOLITE MARKER | PARKING METER | STEEL POLE |
| TUBULAR MARKER | STEEL/WOOD POST | POWER POLE |
| RIGHT-OF-WAY MARKER | SIGN | TRANSFORMER POLE |
| RIGHT-OF-WAY PIN | FENCE LINE | GROUND WIRE |
| MILE POST MARKER NOTE: DASHED = (NOT FOUND IN FIELD) | TELEPHONE/CATV PED | BOND AND GROUND |
| | TREE | |
| | BUSH | |

DELTA FIBER TYPICAL LINETYPES

| | | | | | |
|--------------------|--------------|--------------|--------------|--------------|--------------|
| 1-1.25 HDPE | (1)1.25 HDPE | (1)1.25 HDPE | (1)1.25 HDPE | (1)1.25 HDPE | (1)1.25 HDPE |
| 2-1.25 HDPE | (2)1.25 HDPE | (2)1.25 HDPE | (2)1.25 HDPE | (2)1.25 HDPE | (2)1.25 HDPE |
| 3-1.25 HDPE | (3)1.25 HDPE | (3)1.25 HDPE | (3)1.25 HDPE | (3)1.25 HDPE | (3)1.25 HDPE |
| 4-1.25 HDPE | (4)1.25 HDPE | (4)1.25 HDPE | (4)1.25 HDPE | (4)1.25 HDPE | (4)1.25 HDPE |
| 5-1.25 HDPE | (5)1.25 HDPE | (5)1.25 HDPE | (5)1.25 HDPE | (5)1.25 HDPE | (5)1.25 HDPE |
| 6-1.25 HDPE | (6)1.25 HDPE | (6)1.25 HDPE | (6)1.25 HDPE | (6)1.25 HDPE | (6)1.25 HDPE |
| 12CT FOC | 12CT FOC | 12CT FOC | 12CT FOC | 12CT FOC | 12CT FOC |
| 24CT FOC | 24CT FOC | 24CT FOC | 24CT FOC | 24CT FOC | 24CT FOC |
| 48CT FOC | 48CT FOC | 48CT FOC | 48CT FOC | 48CT FOC | 48CT FOC |
| 72CT FOC | 72CT FOC | 72CT FOC | 72CT FOC | 72CT FOC | 72CT FOC |
| 96CT FOC | 96CT FOC | 96CT FOC | 96CT FOC | 96CT FOC | 96CT FOC |
| 144CT FOC | 144CT FOC | 144CT FOC | 144CT FOC | 144CT FOC | 144CT FOC |
| 288CT FOC | 288CT FOC | 288CT FOC | 288CT FOC | 288CT FOC | 288CT FOC |
| (2)288CT FOC | (2)288CT FOC | (2)288CT FOC | (2)288CT FOC | (2)288CT FOC | (2)288CT FOC |
| 1x4 TRIDENT | 1x4 | 1x4 | 1x4 | 1x4 | 1x4 |
| 1x8 TRIDENT | 1x8 | 1x8 | 1x8 | 1x8 | 1x8 |
| 1x12 TRIDENT | 1x12 | 1x12 | 1x12 | 1x12 | 1x12 |
| 2x12 TRIDENT | (2)1x12 | (2)1x12 | (2)1x12 | (2)1x12 | (2)1x12 |
| RIGHT OF WAY | R/W | | | | |
| DRIVEWAY | | | | | |
| EDGE OF PAVEMENT | | | | | |
| CENTERLINE OF ROAD | | | | | |
| DROPS TO HOUSES | | | | | |
| AERIAL IMAGES | | | | | |
| PROPERTY LINE | PL | PL | PL | PL | PL |
| UTILITY EASEMENT | UTIL ESMT | | | | |
| SIDEWALK | | | | | |

JOB DESCRIPTION

| | |
|---|-----------------------------|
| PROJECT NAME GLENWILD SOUTH OF MADISON CO. | |
| PROJECT CITY CANTON | |
| DATE | DESCRIPTION CONSTRUCTION |
| SHEET | DRAWN BY DELTA FIBER |
| LEGEND | PAGE |
| SCALE NTS | LEGEND |

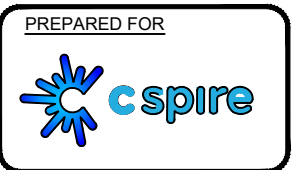
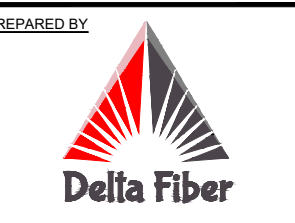
MATERIALS LIST

| ITEM | DESCRIPTION | QTY. |
|------|----------------------|------|
| 1 | TRIDENT RTD 1X12 | |
| 2 | TRIDENT RTD 1X12 | |
| 3 | TRIDENT RTD 1X12 | |
| 4 | TRIDENT RTD 1X12 | |
| 5 | 48 CT FOC | |
| 6 | 48 CT FOC LOOP | |
| 7 | 72 CT FOC | |
| 8 | 72 CT FOC LOOP | |
| 9 | 144 CT FOC | |
| 10 | 144 CT FOC LOOP | |
| 11 | 288 CT FOC | |
| 12 | 288 CT FOC LOOP | |
| 13 | 432 CT FOC | |
| 14 | 432 CT FOC LOOP | |
| 15 | BDO288P LCP | |
| 16 | UH2 | |
| 17 | UH3 | |
| 18 | UH4 | |
| 19 | UH5 | |
| 20 | 1-1.25" SDR11 HDPE | |
| 21 | 2-1.25" SDR11 HDPE | |
| 22 | 3-1.25" SDR11 HDPE | |
| 23 | 4-1.25" SDR11 HDPE | |
| 24 | 5-1.25" SDR11 HDPE | |
| 25 | 6-1.25" SDR11 HDPE | |
| 26 | TYCO "B" SPLICE CASE | |
| 27 | TYCO "D" SPLICE CASE | |
| 28 | GROUND ROD | |
| 29 | SPLICES | |
| 30 | BM53FA | |

REVISIONS

| No. | Revision/Issue | Date |
|-----|----------------|------|
| | | |

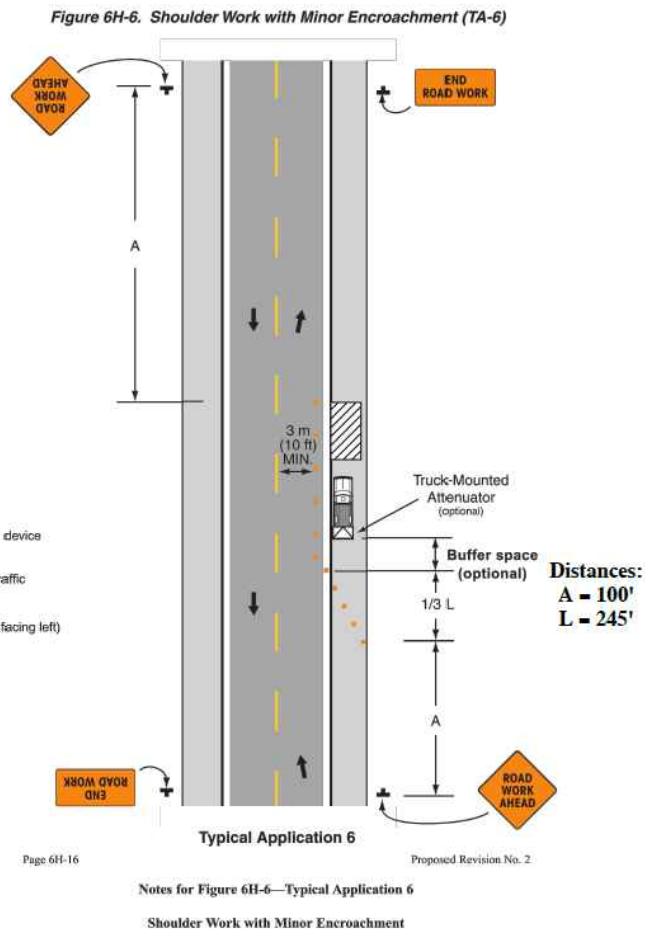
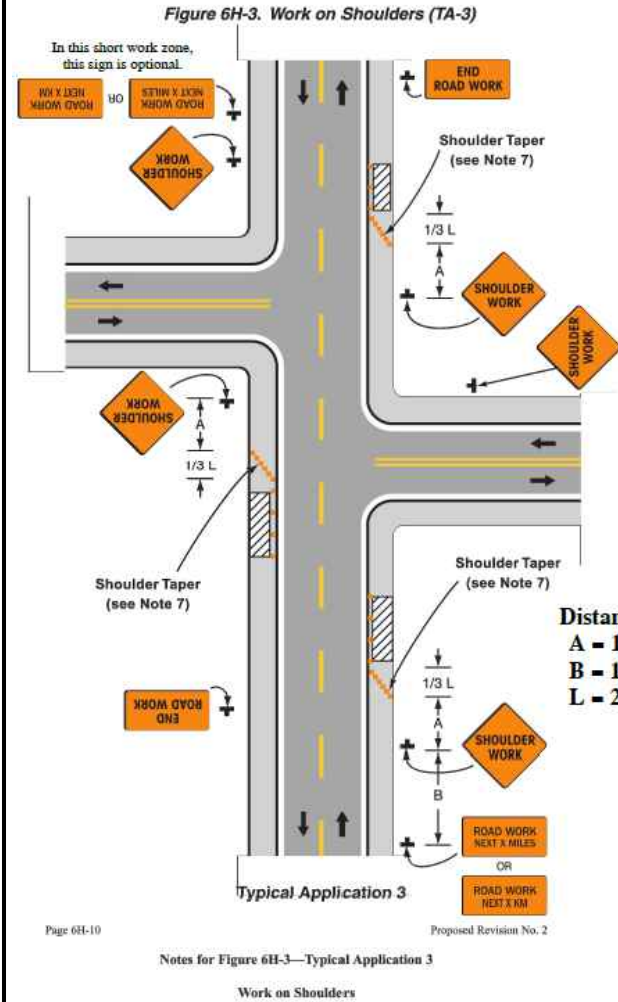
| MAP NUMBER | | |
|------------|--|--|
| | | |



DISCLAIMER
EXCEPT AS MAY BE OTHERWISE PROVIDED BY CONTRACT, THESE DRAWINGS AND SPECIFICATIONS SHALL REMAIN THE PROPERTY OF CSPiRE FIBER. BEING ISSUED IN STRICT CONFIDENCE AND SHALL NOT BE REPRODUCED, COPIED, OR USED FOR ANY PURPOSE WITHOUT SPECIFIC WRITTEN PERMISSION.

ALL CABLE WILL BE PLACED BY METHOD OF DIRECTIONAL BORE MIN 2' OFF ROW OR EASEMENT @ 42" DOC UNLESS OTHERWISE NOTED.

NOTIFY ALL UTILITIES 72 HOURS PRIOR TO CONSTRUCTION ACTIVITY.
ONE CALL SYSTEM @ 1-800-227-6477



CONSTRUCTION SIGNS FLUORESCENT ORANGE SHEETING SHALL BE USED ON ALL CONSTRUCTION AND TRAFFIC CONTROL SIGNS



NOTE:
W20-1 SIGNS ARE REQUIRED
WHEN SHOULDER WORK IS
PERFORMED WITH MINOR
ENCROACHMENT TO TRAVEL
LANE OR FLAGGING
OPERATIONS. SEE TCP-2,
FIGURE 6H-6.

| DISTANCE BETWEEN SIGNS | | | |
|------------------------|----------|----------|----------|
| ROAD TYPE | A | B | C |
| URBAN (35 MPH OR LESS) | 100 FT. | 100 FT. | 100 FT. |
| URBAN (40 - 70 MPH) | 350 FT. | 350 FT. | 350 FT. |
| RURAL | 500 FT. | 500 FT. | 500 FT. |
| EXPRESSWAY / FREEWAY | 1000 FT. | 1500 FT. | 2640 FT. |

- NOTES:
- ALL TRAFFIC CONTROL DEVICES ON THIS PROJECT SHALL COMPLY WITH PART VI OF THE MUTCD (LATEST EDITION).
 - SIGNS ARE ONLY REQUIRED WHILE CONTRACTOR IS WORKING. THEY SHALL BE INSTALLED PRIOR TO WORK COMMENCING EACH DAY AND REMOVED WHEN WORK IS COMPLETED AT THE END OF THE DAY.
 - SIGNS MAY BE MOUNTED ON TRIPODS. THE LOCATION AND SPACING OF SIGNS, AS SHOWN ON THESE TRAFFIC CONTROL PLANS, ARE APPROXIMATE AND MAY BE ADJUSTED AS NECESSARY TO FIT FIELD CONDITIONS.
 - CHANNELIZING DEVICES ARE NOT SHOWN ON THIS PLAN, BUT ARE REQUIRED AROUND ACTIVE WORK ZONES (SEE TCP-2).

GUIDANCE:

- A SHOULDER WORK sign should be placed on the left side of the roadway for a divided or one-way street only if the left shoulder is affected.

OPTION:

- The workers symbol signs may be used instead of SHOULDER WORK signs.
- The SHOULDER WORK AHEAD sign on an intersecting roadway may be omitted where drivers emerging from that roadway will encounter another advance warning sign prior to this activity area.
- For short-duration operations of 60 minutes or less, all signs and channelizing devices may be eliminated if a vehicle with activated rotating lights or strobe lights is used.
- Vehicle hazard warning signals may be used to supplement rotating lights or strobe lights.

STANDARD:

- Vehicle hazard warning signals shall not be used instead of the vehicle's rotating lights or strobe lights.
- When paved shoulders having a width of 2.4 m (8ft) or more are closed, at least one advance warning sign shall be used. In addition, channelizing devices shall be used to close the shoulder in advance to delineate the beginning of the work space and direct vehicular traffic to remain within the traveled way.

GUIDANCE:

- All lanes should be a minimum of 3 m (10ft) in width as measured to the near face of the channelizing devices.
- The treatment shown should be used on a minor road having low speeds. For higher-speed traffic conditions, a lane closure should be used.

OPTION:

- For short-term use on low-volume, low-speed roadways with vehicular traffic that does not include longer and wider heavy commercial vehicles, a minimum lane width of 2.7 m (9ft) may be used.
- Where the opposite shoulder is suitable for carrying vehicular traffic and of adequate width, lanes may be shifted by use of closely spaced channelizing devices, provided that the minimum lane width of 3 m (10ft) is maintained.
- Additional advance warning may be appropriate, such as ROAD NARROWS sign.

SHOULDER WORK WITH MINOR ENCROACHMENT

- Temporary traffic barriers may be used along with the work space.
- The shadow vehicle may be omitted if a taper and channelizing devices are used.
- A truck-mounted attenuator may be used on the shadow vehicle.
- For short-duration work, the taper and channelizing devices may be omitted if a shadow vehicle with activated rotating lights or strobe lights is used.
- Vehicle hazard warning signals may be used to supplement rotating lights or strobe lights.

STANDARD:

- Vehicle hazard warning signals shall not be used instead of the vehicle's rotating lights or strobe lights.

JOB DESCRIPTION

| | |
|---|--------------------------------|
| PROJECT NAME GLENWILD SOUTH OF MADISON CO. | |
| PROJECT CITY CANTON | |
| DATE | DESCRIPTION TRAFFIC CONTROL |
| SHEET TC1 | DRAWN BY DELTA FIBER |
| SCALE | PAGE TC1 |

MATERIALS LIST

| ITEM | DESCRIPTION | QTY. |
|------|----------------------|------|
| 1 | TRIDENT RTD 1X12 | |
| 2 | TRIDENT RTD 1X12 | |
| 3 | TRIDENT RTD 1X12 | |
| 4 | TRIDENT RTD 1X12 | |
| 5 | 48 CT FOC | |
| 6 | 48 CT FOC LOOP | |
| 7 | 72 CT FOC | |
| 8 | 72 CT FOC LOOP | |
| 9 | 144 CT FOC | |
| 10 | 144 CT FOC LOOP | |
| 11 | 288 CT FOC | |
| 12 | 288 CT FOC LOOP | |
| 13 | 432 CT FOC | |
| 14 | 432 CT FOC LOOP | |
| 15 | BDO288P LCP | |
| 16 | UH2 | |
| 17 | UH3 | |
| 18 | UH4 | |
| 19 | UH5 | |
| 20 | 1-1.25" SDR11 HDPE | |
| 21 | 2-1.25" SDR11 HDPE | |
| 22 | 3-1.25" SDR11 HDPE | |
| 23 | 4-1.25" SDR11 HDPE | |
| 24 | 5-1.25" SDR11 HDPE | |
| 25 | 6-1.25" SDR11 HDPE | |
| 26 | TYCO "B" SPLICE CASE | |
| 27 | TYCO "D" SPLICE CASE | |
| 28 | GROUND ROD | |
| 29 | SPLICES | |
| 30 | BM53FA | |

REVISIONS

| No. | Revision/Issue | Date |
|-----|----------------|------|
| | | |

MAP NUMBER

| | | |
|--|--|--|
| | | |
|--|--|--|

PREPARED BY



PREPARED FOR



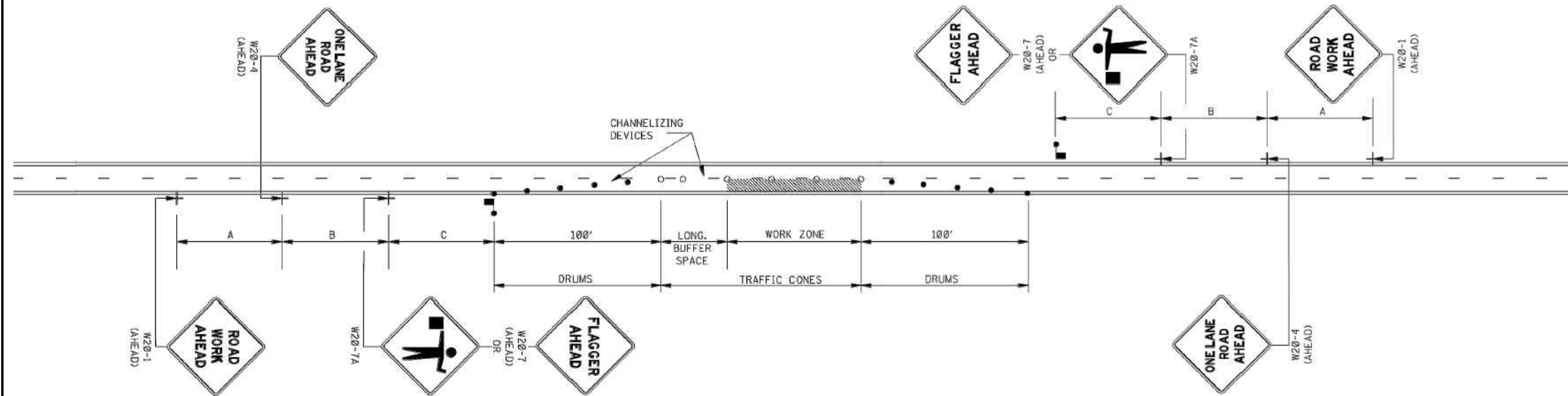
DISCLAIMER

EXCEPT AS MAY BE OTHERWISE PROVIDED BY CONTRACT, THESE DRAWINGS AND SPECIFICATIONS SHALL REMAIN THE PROPERTY OF CSPIRE FIBER. BEING ISSUED IN STRICT CONFIDENCE AND SHALL NOT BE REPRODUCED, COPIED, OR USED FOR ANY PURPOSE WITHOUT SPECIFIC WRITTEN PERMISSION.

| | |
|---|--------------------------------|
| PROJECT NAME GLENWILD SOUTH OF MADISON CO. | |
| PROJECT CITY CANTON | |
| DATE | DESCRIPTION TRAFFIC CONTROL |
| SHEET TC2 | DRAWN BY DELTA FIBER |
| SCALE | PAGE TC2 |

MATERIALS LIST

| ITEM | DESCRIPTION | QTY. |
|------|----------------------|------|
| 1 | TRIDENT RTD 1X12 | |
| 2 | TRIDENT RTD 1X12 | |
| 3 | TRIDENT RTD 1X12 | |
| 4 | TRIDENT RTD 1X12 | |
| 5 | 48 CT FOC | |
| 6 | 48 CT FOC LOOP | |
| 7 | 72 CT FOC | |
| 8 | 72 CT FOC LOOP | |
| 9 | 144 CT FOC | |
| 10 | 144 CT FOC LOOP | |
| 11 | 288 CT FOC | |
| 12 | 288 CT FOC LOOP | |
| 13 | 432 CT FOC | |
| 14 | 432 CT FOC LOOP | |
| 15 | BDO288P LCP | |
| 16 | UH2 | |
| 17 | UH3 | |
| 18 | UH4 | |
| 19 | UH5 | |
| 20 | 1-1.25" SDR11 HDPE | |
| 21 | 2-1.25" SDR11 HDPE | |
| 22 | 3-1.25" SDR11 HDPE | |
| 23 | 4-1.25" SDR11 HDPE | |
| 24 | 5-1.25" SDR11 HDPE | |
| 25 | 6-1.25" SDR11 HDPE | |
| 26 | TYCO "B" SPLICE CASE | |
| 27 | TYCO "D" SPLICE CASE | |
| 28 | GROUND ROD | |
| 29 | SPLICES | |
| 30 | BM53FA | |



GENERAL NOTES:

1. THE LOCATION OF CHANNELIZING DEVICES AND THE WORK AREA LAYOUT SHALL BE BASED ON THE CRITERIA IN THE FOLLOWING TABLE. FLAGGER STATIONS SHALL BE LOCATED SUCH THAT APPROACHING VEHICLES WILL HAVE SUFFICIENT DISTANCE TO STOP. VALUES IN STOPPING SIGHT DISTANCE COLUMN MAY BE USED AS A MINIMUM FOR THIS DISTANCE.

| POSTED SPEED AND/OR DESIGN SPEED | MAXIMUM CHANNELIZING DEVICE SPACING (ft) | | LONGITUDINAL BUFFER SPACE (ft) | STOPPING SIGHT DISTANCE |
|----------------------------------|--|-----------------------------|--------------------------------|-------------------------|
| | TAPER | ALONG LANE LINE & WORK ZONE | | |
| mph | | | | |
| 25 | 20 | 50 | 55 | 155 |
| 30 | 20 | 60 | 85 | 200 |
| 35 | 20 | 70 | 120 | 250 |
| 40 | 20 | 80 | 170 | 305 |
| 45 | 20 | 90 | 220 | 360 |
| 50 | 20 | 100 | 280 | 425 |
| 55 | 20 | 110 | 335 | 495 |
| 60 | 20 | 120 | 415 | 570 |
| 65 | 20 | 130 | 485 | 645 |

NOTE: BUFFER SPACE MAY BE ADJUSTED AS NEEDED ACCORDING TO ROADWAY GEOMETRY TO MEET SIGHT DISTANCE REQUIREMENTS, AS DIRECTED BY THE ENGINEER.

2. ALL CHANNELIZING DEVICES SHALL BE A MINIMUM OF 28" IN HEIGHT.
3. DIAMOND SHAPED TRAFFIC CONTROL SIGNS SHALL BE A MINIMUM OF 36" x 36" AND BLACK COPY ON FLUORESCENT ORANGE SHEETING.
4. WHEN WORK ZONE IS NO LONGER NEEDED, ALL SIGNS SHALL BE COVERED OR REMOVED AND ALL CHANNELIZING DEVICES SHALL BE MOVED TO THE SHOULDER EDGE.
5. ADDITIONAL FLAGGERS MAY BE NEEDED AS DIRECTED BY THE ENGINEER.
6. WHEN WORK IS REQUIRED AT NIGHT, FLAGGER STATIONS SHALL BE ILLUMINATED.
7. CHANNELIZING DEVICE TYPES FOR:
A. APPROACH AND EXIT TAPERS - RETROREFLECTIVE PLASTIC DRUMS
B. ALONG LANE LINE AND WORK ZONE - TRAFFIC CONES (28" HEIGHT)
8. ALL TRAFFIC CONTROL ITEMS SHOWN ON THIS SHEET WILL NOT BE MEASURED FOR SEPARATE PAYMENT. THIS WORK SHALL BE INCLUDED IN THE PRICE BID FOR MAINTENANCE OF TRAFFIC.

REVISIONS

| No. | Revision/Issue | Date |
|-----|----------------|------|
| | | |
| | | |

MAP NUMBER

| | | |
|--|--|--|
| | | |
| | | |
| | | |

PREPARED BY:



PREPARED FOR



DISCLAIMER

EXCEPT AS MAY BE OTHERWISE PROVIDED BY CONTRACT, THESE DRAWINGS AND SPECIFICATIONS SHALL REMAIN THE PROPERTY OF CSPIRE FIBER. BEING ISSUED IN STRICT CONFIDENCE AND SHALL NOT BE REPRODUCED, COPIED, OR USED FOR ANY PURPOSE WITHOUT SPECIFIC WRITTEN PERMISSION.



JOB DESCRIPTION

| | |
|---|-----------------------------|
| PROJECT NAME GLENWILD SOUTH OF MADISON CO. | |
| PROJECT CITY CANTON | |
| DATE | DESCRIPTION CONSTRUCTION |
| SHEET 001 | DRAWN BY DELTA FIBER |
| SCALE 1"=50' | PAGE 1 |

MATERIALS LIST

| ITEM | DESCRIPTION | QTY. |
|------|----------------------|------|
| 1 | TRIDENT RTD 1X12 | |
| 2 | TRIDENT RTD 1X12 | |
| 3 | TRIDENT RTD 1X12 | |
| 4 | TRIDENT RTD 1X12 | |
| 5 | 24 CT FOC | |
| 6 | 24 CT FOC LOOP | |
| 7 | 48 CT FOC | |
| 8 | 48 CT FOC LOOP | 50 |
| 9 | 72 CT FOC | |
| 10 | 72 CT FOC LOOP | |
| 11 | 144 CT FOC | |
| 12 | 144 CT FOC LOOP | |
| 13 | 288 CT FOC | 517 |
| 14 | 288 CT FOC LOOP | 400 |
| 15 | BDO288P LCP | 1 |
| 16 | UH2 | |
| 17 | UH3 | |
| 18 | UH4 | |
| 19 | UH5 | 1 |
| 20 | 1-1.25" SDR11 HDPE | |
| 21 | 2-1.25" SDR11 HDPE | |
| 22 | 3-1.25" SDR11 HDPE | |
| 23 | 4-1.25" SDR11 HDPE | |
| 24 | 5-1.25" SDR11 HDPE | |
| 25 | 6-1.25" SDR11 HDPE | |
| 26 | TYCO "B" SPLICE CASE | |
| 27 | TYCO "D" SPLICE CASE | 1 |
| 28 | GROUND ROD | 2 |
| 29 | SPLICES | 228 |
| 30 | BM53FA | 1 |

REVISIONS

| No. | Revision/Issue | Date |
|-----|----------------|------|
| | | |
| | | |

MAP NUMBER

| | | |
|--|--|--|
| | | |
| | | |

PREPARED BY

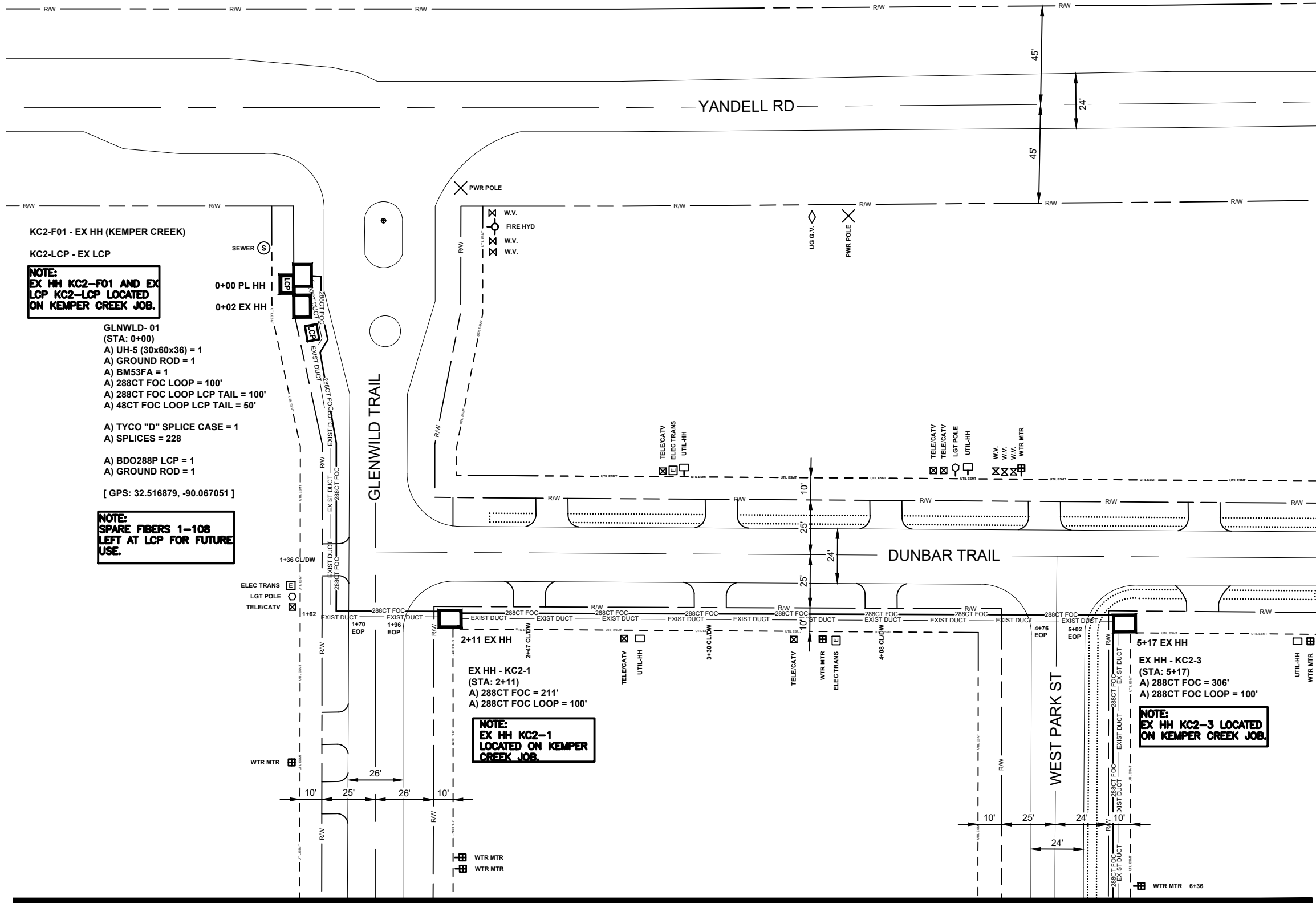


PREPARED FOR



DISCLAIMER

EXCEPT AS MAY BE OTHERWISE PROVIDED BY CONTRACT, THESE DRAWINGS AND SPECIFICATIONS SHALL REMAIN THE PROPERTY OF CSPIRE FIBER. BEING ISSUED IN STRICT CONFIDENCE AND SHALL NOT BE REPRODUCED, COPIED, OR USED FOR ANY PURPOSE WITHOUT SPECIFIC WRITTEN PERMISSION.



KC2-F01 - EX HH (KEMPER CREEK)

KC2-LCP - EX LCP

NOTE:
EX HH KC2-F01 AND EX LCP KC2-LCP LOCATED ON KEMPER CREEK JOB.

- GLNWLD- 01
(STA: 0+00)
A) UH-5 (30x60x36) = 1
A) GROUND ROD = 1
A) BM53FA = 1
A) 288CT FOC LOOP = 100'
A) 288CT FOC LOOP LCP TAIL = 100'
A) 48CT FOC LOOP LCP TAIL = 50'

- A) TYCO "D" SPLICE CASE = 1
A) SPLICES = 228

- A) BDO288P LCP = 1
A) GROUND ROD = 1

[GPS: 32.516879, -90.067051]

NOTE:
SPARE FIBERS 1-108 LEFT AT LCP FOR FUTURE USE.

- EX HH - KC2-1
(STA: 2+11)
A) 288CT FOC = 211'
A) 288CT FOC LOOP = 100'

NOTE:
EX HH KC2-1 LOCATED ON KEMPER CREEK JOB.

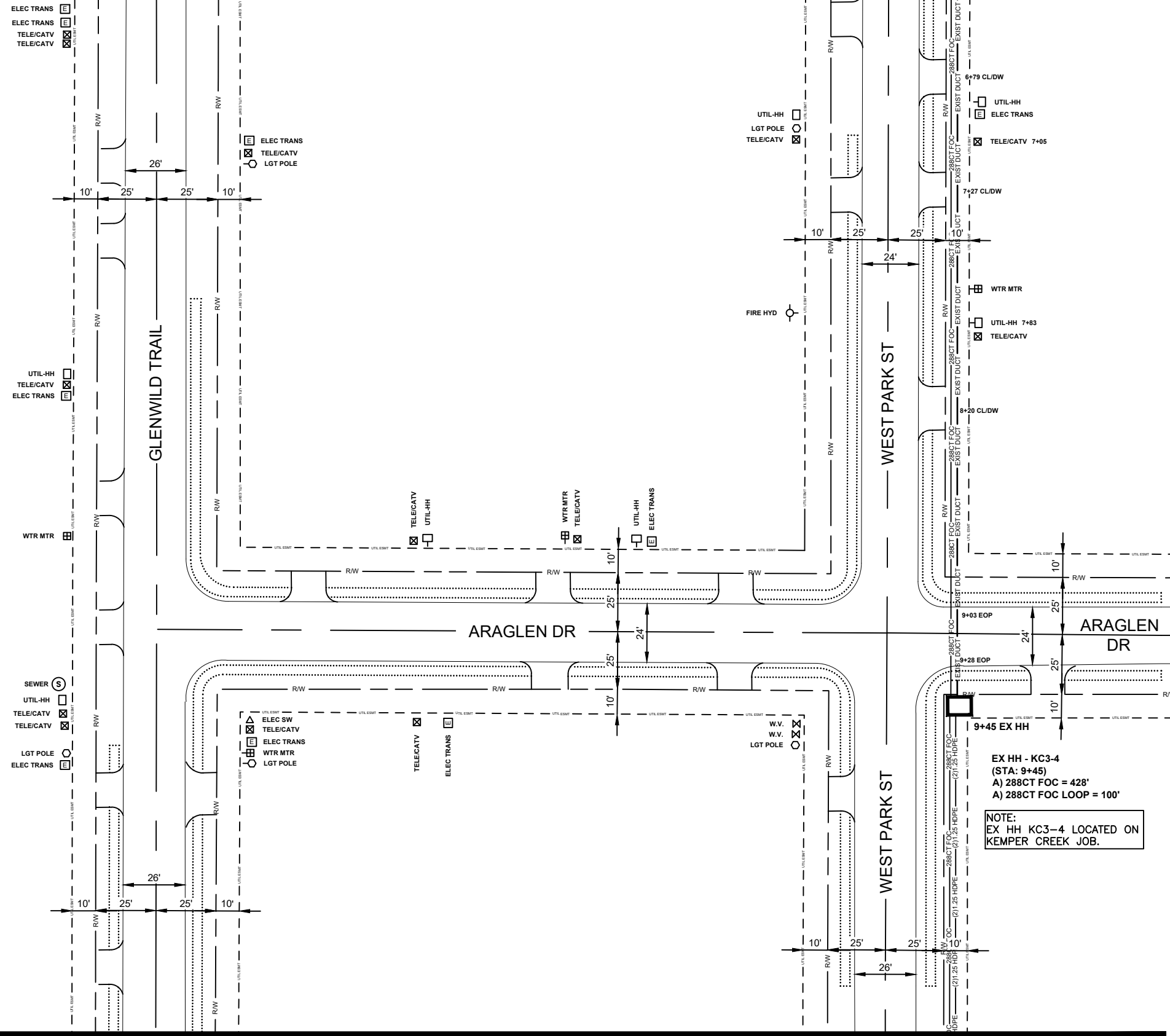
- EX HH - KC2-3
(STA: 5+17)
A) 288CT FOC = 306'
A) 288CT FOC LOOP = 100'

NOTE:
EX HH KC2-3 LOCATED ON KEMPER CREEK JOB.

SEE SHEET 2

ALL CABLE WILL BE PLACED BY METHOD OF DIRECTIONAL BORE MIN 2' OFF ROW OR EASEMENT @ 42" DOC UNLESS OTHERWISE NOTED.

NOTIFY ALL UTILITIES 72 HOURS PRIOR TO CONSTRUCTION ACTIVITY.
ONE CALL SYSTEM @ 1-800-227-6477



JOB DESCRIPTION

| | |
|---|-----------------------------|
| PROJECT NAME GLENWILD SOUTH OF MADISON CO. | |
| PROJECT CITY CANTON | |
| DATE | DESCRIPTION CONSTRUCTION |
| SHEET 002 | DRAWN BY DELTA FIBER |
| SCALE 1"=50' | PAGE 2 |

MATERIALS LIST

| ITEM | DESCRIPTION | QTY. |
|------|----------------------|------|
| 1 | TRIDENT RTD 1X12 | |
| 2 | TRIDENT RTD 1X12 | |
| 3 | TRIDENT RTD 1X12 | |
| 4 | TRIDENT RTD 1X12 | |
| 5 | 24 CT FOC | |
| 6 | 24 CT FOC LOOP | |
| 7 | 48 CT FOC | |
| 8 | 48 CT FOC LOOP | |
| 9 | 72 CT FOC | |
| 10 | 72 CT FOC LOOP | |
| 11 | 144 CT FOC | |
| 12 | 144 CT FOC LOOP | |
| 13 | 288 CT FOC | 428 |
| 14 | 288 CT FOC LOOP | 100 |
| 15 | BDO288P LCP | |
| 16 | UH2 | |
| 17 | UH3 | |
| 18 | UH4 | |
| 19 | UH5 | |
| 20 | 1-1.25" SDR11 HDPE | |
| 21 | 2-1.25" SDR11 HDPE | |
| 22 | 3-1.25" SDR11 HDPE | |
| 23 | 4-1.25" SDR11 HDPE | |
| 24 | 5-1.25" SDR11 HDPE | |
| 25 | 6-1.25" SDR11 HDPE | |
| 26 | TYCO "B" SPLICE CASE | |
| 27 | TYCO "D" SPLICE CASE | |
| 28 | GROUND ROD | |
| 29 | SPLICES | |
| 30 | BM53FA | |

REVISIONS

| No. | Revision/Issue | Date |
|-----|----------------|------|
| | | |
| | | |
| | | |

| MAP NUMBER | | |
|------------|---|--|
| | 1 | |
| | 2 | |
| | 3 | |

PREPARED BY



PREPARED FOR

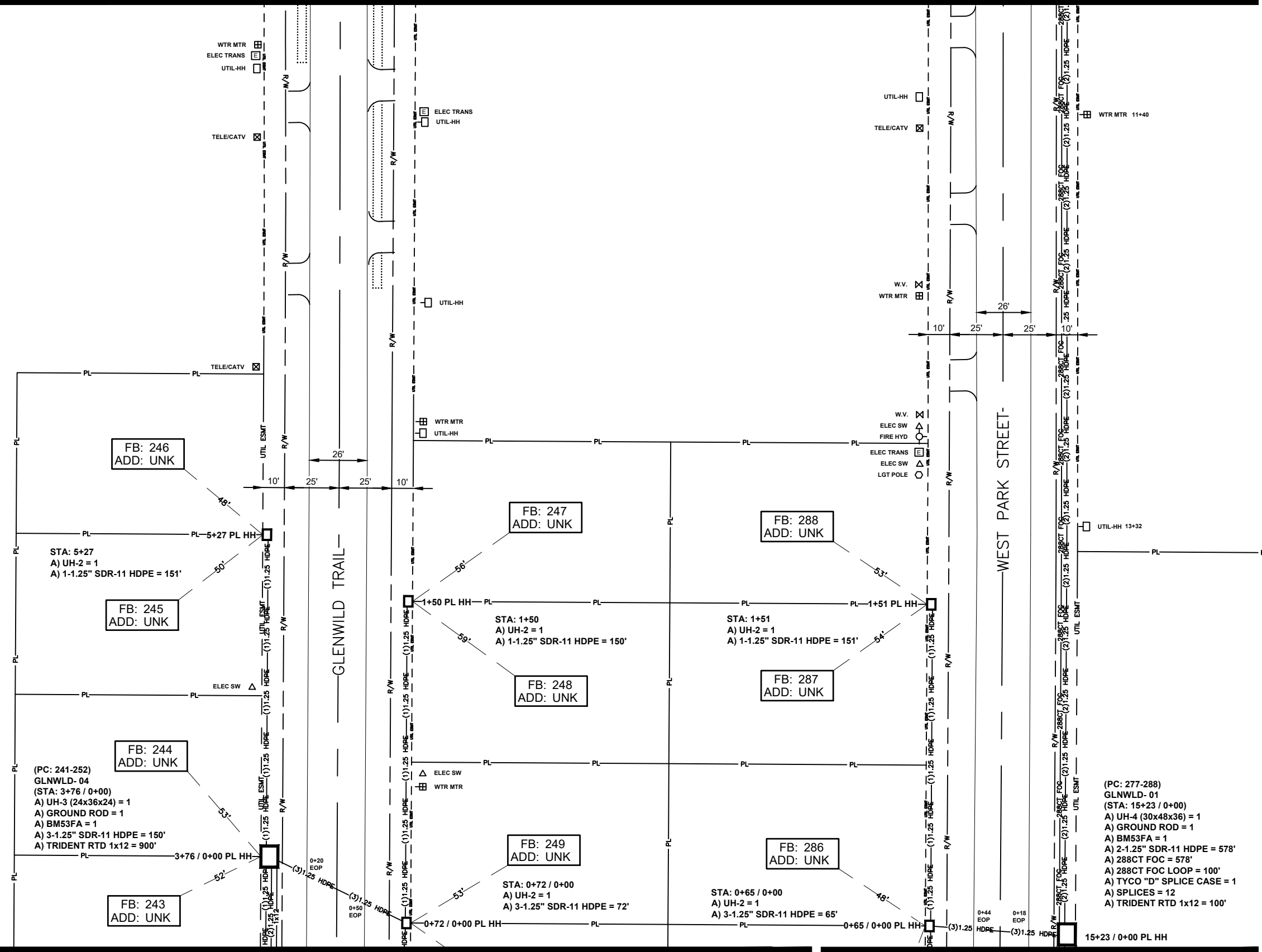


DISCLAIMER

EXCEPT AS MAY BE OTHERWISE PROVIDED BY CONTRACT, THESE DRAWINGS AND SPECIFICATIONS SHALL REMAIN THE PROPERTY OF CSPIRE FIBER. NO REUSE, REPRODUCTION, OR DISTRIBUTION OF THESE DRAWINGS OR SPECIFICATIONS IS PERMITTED WITHOUT SPECIFIC WRITTEN PERMISSION.

ALL CABLE WILL BE PLACED BY METHOD OF DIRECTIONAL BORE MIN 2' OFF ROW OR EASEMENT @ 42" DOC UNLESS OTHERWISE NOTED.

NOTIFY ALL UTILITIES 72 HOURS PRIOR TO CONSTRUCTION ACTIVITY.
ONE CALL SYSTEM @ 1-800-227-6477



SEE SHEET 12

SEE SHEET 4

ALL CABLE WILL BE PLACED BY METHOD OF DIRECTIONAL BORE MIN 2' OFF ROW OR EASEMENT @ 42" DOC UNLESS OTHERWISE NOTED.

JOB DESCRIPTION

| | |
|---|-----------------------------|
| PROJECT NAME GLENWILD SOUTH OF MADISON CO. | |
| PROJECT CITY CANTON | |
| DATE | DESCRIPTION CONSTRUCTION |
| SHEET 003 | DRAWN BY DELTA FIBER |
| SCALE 1"=50' | PAGE 3 |

MATERIALS LIST

| ITEM | DESCRIPTION | QTY. |
|------|----------------------|------|
| 1 | TRIDENT RTD 1X12 | 900 |
| 2 | TRIDENT RTD 1X12 | 100 |
| 3 | TRIDENT RTD 1X12 | |
| 4 | TRIDENT RTD 1X12 | |
| 5 | 24 CT FOC | |
| 6 | 24 CT FOC LOOP | |
| 7 | 48 CT FOC | |
| 8 | 48 CT FOC LOOP | |
| 9 | 72 CT FOC | |
| 10 | 72 CT FOC LOOP | |
| 11 | 144 CT FOC | |
| 12 | 144 CT FOC LOOP | |
| 13 | 288 CT FOC | 578 |
| 14 | 288 CT FOC LOOP | 100 |
| 15 | BDO288P LCP | |
| 16 | UH2 | 5 |
| 17 | UH3 | 1 |
| 18 | UH4 | 1 |
| 19 | UH5 | |
| 20 | 1-1.25" SDR11 HDPE | 452 |
| 21 | 2-1.25" SDR11 HDPE | 578 |
| 22 | 3-1.25" SDR11 HDPE | 287 |
| 23 | 4-1.25" SDR11 HDPE | |
| 24 | 5-1.25" SDR11 HDPE | |
| 25 | 6-1.25" SDR11 HDPE | |
| 26 | TYCO "B" SPLICE CASE | |
| 27 | TYCO "D" SPLICE CASE | 1 |
| 28 | GROUND ROD | 2 |
| 29 | SPLICES | 12 |
| 30 | BM53FA | 2 |

REVISIONS

| No. | Revision/Issue | Date |
|-----|----------------|------|
| | | |
| | | |

MAP NUMBER

| | | |
|--|---|--|
| | 2 | |
| | 3 | |
| | 4 | |

PREPARED BY



PREPARED FOR



DISCLAIMER

EXCEPT AS MAY BE OTHERWISE PROVIDED BY CONTRACT THESE DRAWINGS AND SPECIFICATIONS SHALL REMAIN THE PROPERTY OF CSPIRE FIBER. BEING ISSUED IN STRICT CONFIDENCE AND SHALL NOT BE REPRODUCED, COPIED, OR USED FOR ANY PURPOSE WITHOUT SPECIFIC WRITTEN PERMISSION.

NOTIFY ALL UTILITIES 72 HOURS PRIOR TO CONSTRUCTION ACTIVITY.
ONE CALL SYSTEM @ 1-800-227-6477



CANTON
MADISON COUNTY, MISSISSIPPI

SEE SHEET 3

SEE SHEET 13

COMMON AREA
& POOL

SEE SHEET 12

SEE SHEET 5

JOB DESCRIPTION

| | |
|---|-----------------------------|
| PROJECT NAME GLENWILD SOUTH OF MADISON CO. | |
| PROJECT CITY CANTON | |
| DATE | DESCRIPTION CONSTRUCTION |
| SHEET 004 | DRAWN BY DELTA FIBER |
| SCALE 1"=50' | PAGE 4 |

MATERIALS LIST

| ITEM | DESCRIPTION | QTY. |
|------|----------------------|------|
| 1 | TRIDENT RTD 1X12 | 100 |
| 2 | TRIDENT RTD 1X12 | 100 |
| 3 | TRIDENT RTD 1X12 | |
| 4 | TRIDENT RTD 1X12 | |
| 5 | 24 CT FOC | |
| 6 | 24 CT FOC LOOP | |
| 7 | 48 CT FOC | |
| 8 | 48 CT FOC LOOP | 50 |
| 9 | 72 CT FOC | 402 |
| 10 | 72 CT FOC LOOP | 100 |
| 11 | 96 CT FOC | |
| 12 | 96 CT FOC LOOP | 50 |
| 13 | 288 CT FOC | 333 |
| 14 | 288 CT FOC LOOP | 50 |
| 15 | BDO288P LCP | |
| 16 | UH2 | 8 |
| 17 | UH3 | 1 |
| 18 | UH4 | 1 |
| 19 | UH5 | |
| 20 | 1-1.25" SDR-11 HDPE | 307 |
| 21 | 2-1.25" SDR-11 HDPE | 857 |
| 22 | 3-1.25" SDR-11 HDPE | 231 |
| 23 | 4-1.25" SDR-11 HDPE | 90 |
| 24 | 5-1.25" SDR-11 HDPE | |
| 25 | 6-1.25" SDR-11 HDPE | |
| 26 | TYCO "B" SPLICE CASE | 1 |
| 27 | TYCO "D" SPLICE CASE | 1 |
| 28 | GROUND ROD | 2 |
| 29 | SPLICES | 228 |
| 30 | BM53FA | 2 |

REVISIONS

| No. | Revision/Issue | Date |
|-----|----------------|------|
| | | |
| | | |

MAP NUMBER

| | |
|---|----|
| 3 | 13 |
| 4 | 5 |
| 9 | 6 |

PREPARED BY



PREPARED FOR

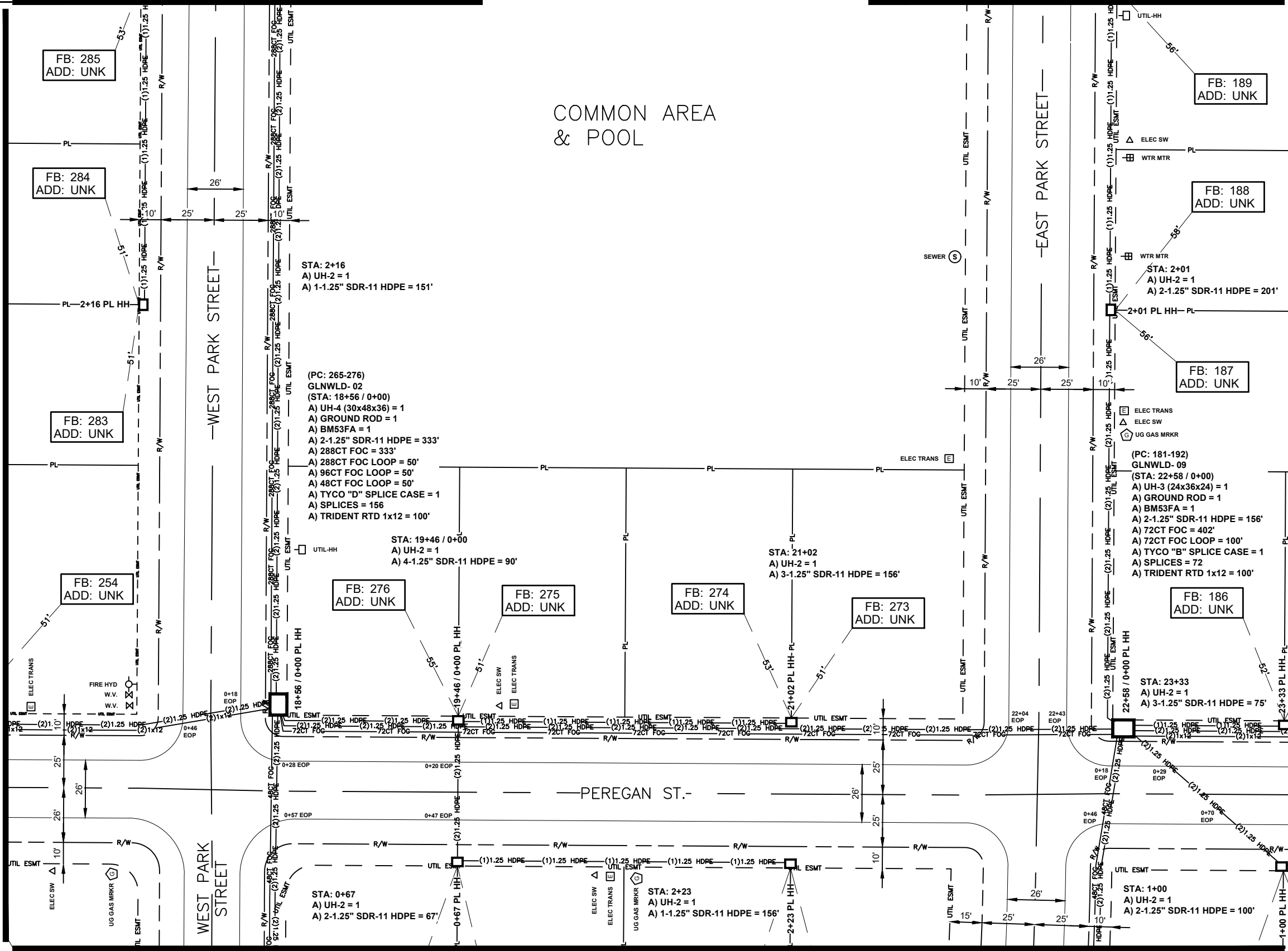


DISCLAIMER

EXCEPT AS MAY BE OTHERWISE PROVIDED BY CONTRACT, THESE DRAWINGS AND SPECIFICATIONS SHALL REMAIN THE PROPERTY OF CSPIRE FIBER. NO COPIES, OR USED FOR ANY PURPOSE, WITHOUT SPECIFIC WRITTEN PERMISSION.

ALL CABLE WILL BE PLACED BY METHOD OF DIRECTIONAL BORE MIN 2' OFF ROW OR EASEMENT @ 42" DOC UNLESS OTHERWISE NOTED.

NOTIFY ALL UTILITIES 72 HOURS PRIOR TO CONSTRUCTION ACTIVITY.
ONE CALL SYSTEM @ 1-800-227-6477





JOB DESCRIPTION

| | |
|---|-----------------------------|
| PROJECT NAME GLENWILD SOUTH OF MADISON CO. | |
| PROJECT CITY CANTON | |
| DATE | DESCRIPTION CONSTRUCTION |
| SHEET 005 | DRAWN BY DELTA FIBER |
| SCALE 1"=50' | PAGE 5 |

MATERIALS LIST

| ITEM | DESCRIPTION | QTY. |
|------|----------------------|------|
| 1 | TRIDENT RTD 1X12 | 700 |
| 2 | TRIDENT RTD 1X12 | 400 |
| 3 | TRIDENT RTD 1X12 | |
| 4 | TRIDENT RTD 1X12 | |
| 5 | 24 CT FOC | |
| 6 | 24 CT FOC LOOP | |
| 7 | 48 CT FOC | |
| 8 | 48 CT FOC LOOP | |
| 9 | 96 CT FOC | 303 |
| 10 | 96 CT FOC LOOP | 50 |
| 11 | 144 CT FOC | |
| 12 | 144 CT FOC LOOP | |
| 13 | 288 CT FOC | |
| 14 | 288 CT FOC LOOP | |
| 15 | BDO288P LCP | |
| 16 | UH2 | 5 |
| 17 | UH3 | 2 |
| 18 | UH4 | |
| 19 | UH5 | |
| 20 | 1-1.25" SDR11 HDPE | 226 |
| 21 | 2-1.25" SDR11 HDPE | 389 |
| 22 | 3-1.25" SDR11 HDPE | 231 |
| 23 | 4-1.25" SDR11 HDPE | |
| 24 | 5-1.25" SDR11 HDPE | |
| 25 | 6-1.25" SDR11 HDPE | |
| 26 | TYCO "B" SPLICE CASE | 1 |
| 27 | TYCO "D" SPLICE CASE | |
| 28 | GROUND ROD | 2 |
| 29 | SPLICES | 36 |
| 30 | BM53FA | 2 |

REVISIONS

| No. | Revision/Issue | Date |
|-----|----------------|------|
| | | |
| | | |
| | | |

MAP NUMBER

| |
|----|
| 13 |
| 4 |
| 5 |
| 6 |

PREPARED BY:



PREPARED FOR



DISCLAIMER

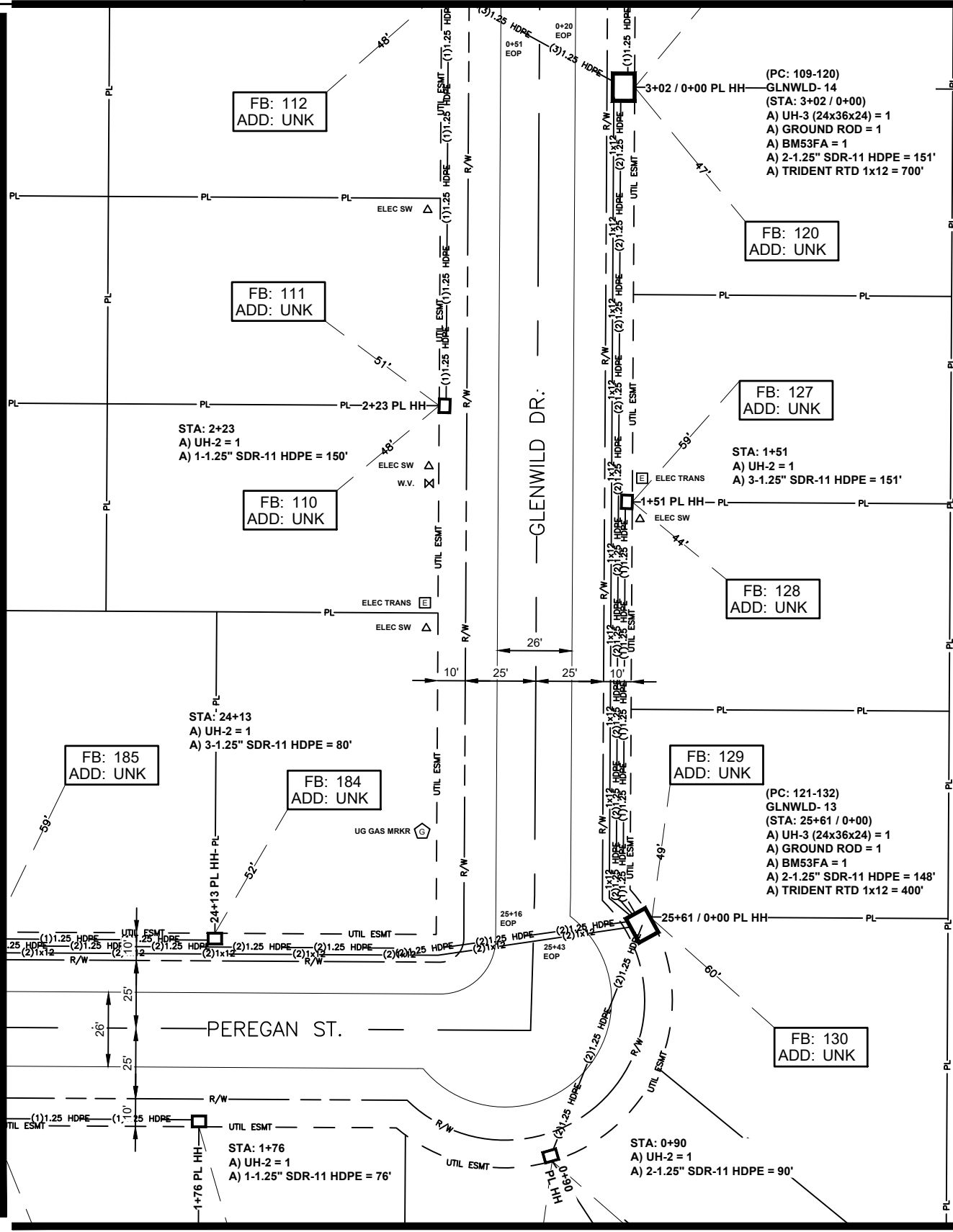
EXCEPT AS MAY BE OTHERWISE PROVIDED BY CONTRACT, THESE DRAWINGS AND SPECIFICATIONS SHALL REMAIN THE PROPERTY OF CSPIRE FIBER. BEING ISSUED IN STRICT CONFIDENCE AND SHALL NOT BE REPRODUCED, COPIED, OR USED FOR ANY PURPOSE WITHOUT SPECIFIC WRITTEN PERMISSION.

SEE SHEET 4

SEE SHEET 6

ALL CABLE WILL BE PLACED BY METHOD OF DIRECTIONAL BORE MIN 2' OFF ROW OR EASEMENT @ 42" DOC UNLESS OTHERWISE NOTED.

NOTIFY ALL UTILITIES 72 HOURS PRIOR TO CONSTRUCTION ACTIVITY.
ONE CALL SYSTEM @ 1-800-227-6477

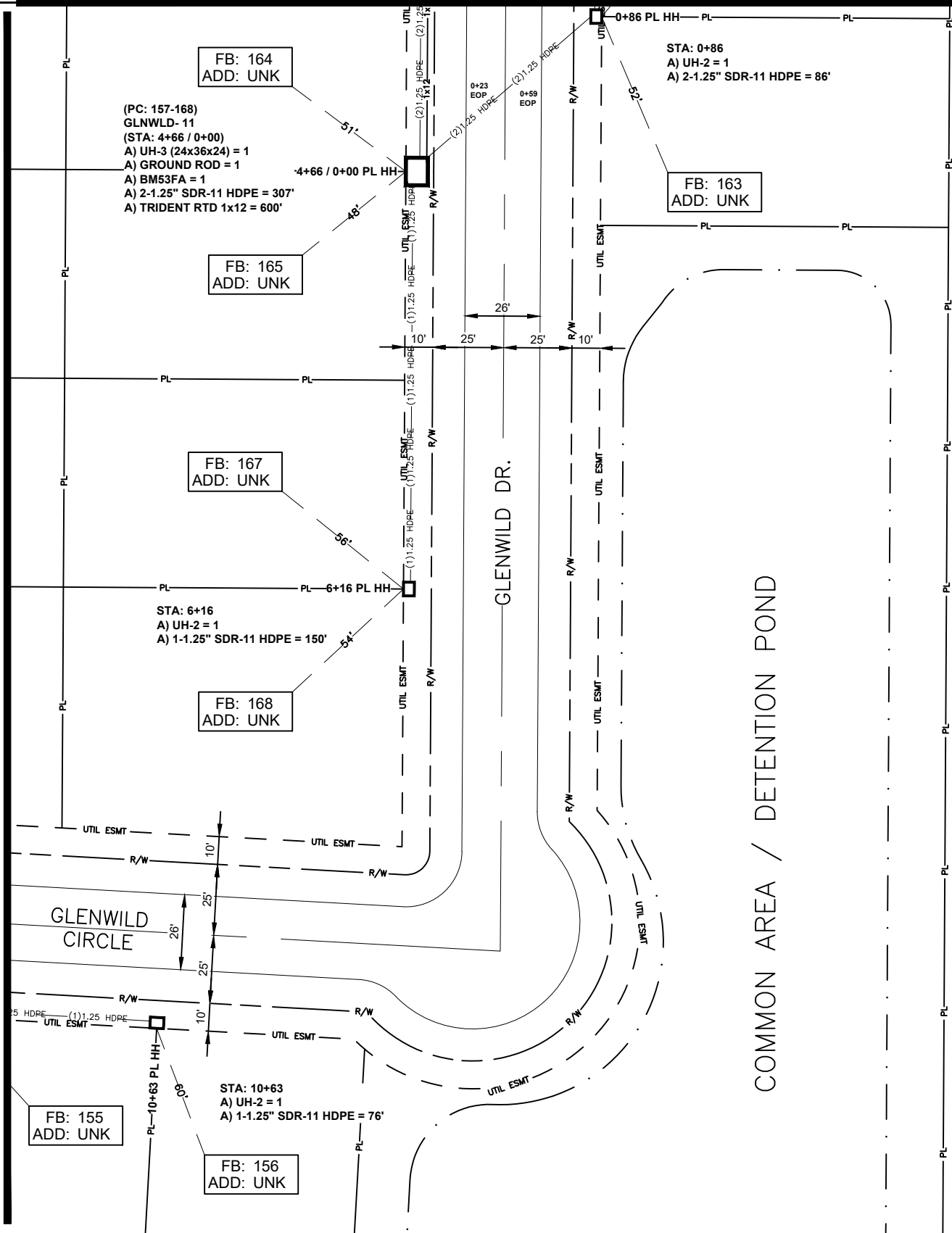




CANTON
MADISON COUNTY, MISSISSIPPI

SEE SHEET 6

SEE SHEET 8





| | |
|---|-----------------------------|
| PROJECT NAME GLENWILD SOUTH OF MADISON CO. | |
| PROJECT CITY CANTON | |
| DATE | DESCRIPTION CONSTRUCTION |
| SHEET 008 | DRAWN BY DELTA FIBER |
| SCALE 1"=50' | PAGE 8 |

MATERIALS LIST

| ITEM | DESCRIPTION | QTY. |
|------|----------------------|------|
| 1 | TRIDENT RTD 1X12 | 611 |
| 2 | TRIDENT RTD 1X12 | 100 |
| 3 | TRIDENT RTD 1X12 | 100 |
| 4 | TRIDENT RTD 1X12 | |
| 5 | 24 CT FOC | |
| 6 | 24 CT FOC LOOP | |
| 7 | 48 CT FOC | 527 |
| 8 | 48 CT FOC LOOP | 50 |
| 9 | 72 CT FOC | |
| 10 | 72 CT FOC LOOP | |
| 11 | 144 CT FOC | |
| 12 | 144 CT FOC LOOP | |
| 13 | 288 CT FOC | |
| 14 | 288 CT FOC LOOP | |
| 15 | BDO288P LCP | |
| 16 | UH2 | 11 |
| 17 | UH3 | 2 |
| 18 | UH4 | |
| 19 | UH5 | |
| 20 | 1-1.25" SDR11 HDPE | 601 |
| 21 | 2-1.25" SDR11 HDPE | 573 |
| 22 | 3-1.25" SDR11 HDPE | 302 |
| 23 | 4-1.25" SDR11 HDPE | |
| 24 | 5-1.25" SDR11 HDPE | 295 |
| 25 | 6-1.25" SDR11 HDPE | |
| 26 | TYCO "B" SPLICE CASE | 1 |
| 27 | TYCO "D" SPLICE CASE | |
| 28 | GROUND ROD | 2 |
| 29 | SPLICES | 24 |
| 30 | BM53FA | 2 |

REVISIONS

| No. | Revision/Issue | Date |
|-----|----------------|------|
| | | |
| | | |

MAP NUMBER

| | | |
|----|---|---|
| 10 | 9 | 8 |
| 11 | 7 | 6 |

PREPARED BY



PREPARED FOR

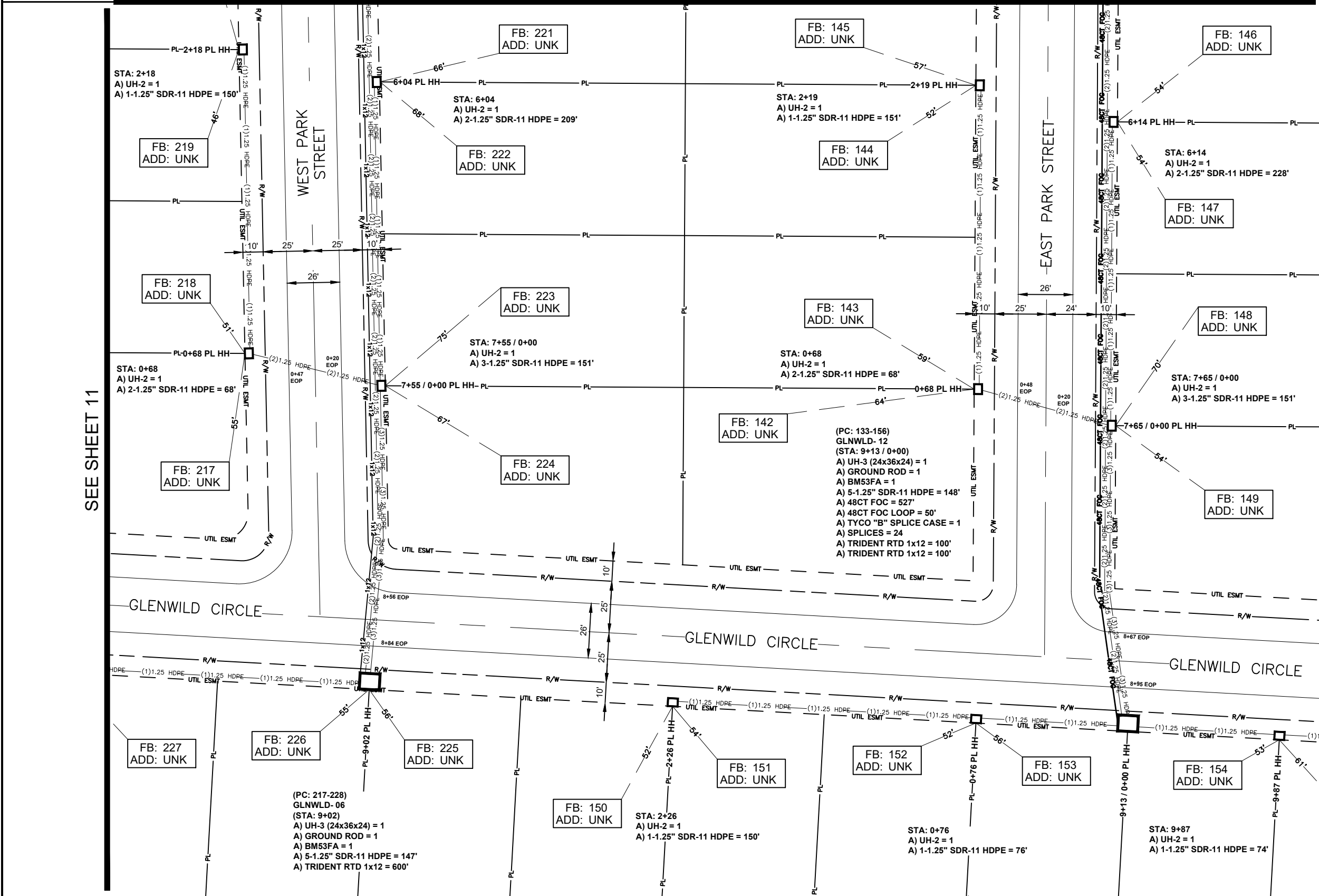


DISCLAIMER

EXCEPT AS MAY BE OTHERWISE PROVIDED BY CONTRACT, THESE DRAWINGS AND SPECIFICATIONS SHALL REMAIN THE PROPERTY OF CSPiRE FIBER. BEING ISSUED IN STRICT CONFIDENCE AND SHALL NOT BE REPRODUCED, COPIED, OR USED FOR ANY PURPOSE WITHOUT SPECIFIC WRITTEN PERMISSION.

ALL CABLE WILL BE PLACED BY METHOD OF DIRECTIONAL BORE MIN 2' OFF ROW OR EASEMENT @ 42" DOC UNLESS OTHERWISE NOTED.

NOTIFY ALL UTILITIES 72 HOURS PRIOR TO CONSTRUCTION ACTIVITY.
ONE CALL SYSTEM @ 1-800-227-6477



SEE SHEET 11

SEE SHEET 7



CANTON
MADISON COUNTY, MISSISSIPPI

SEE SHEET 4

JOB DESCRIPTION

| | |
|---|-----------------------------|
| PROJECT NAME GLENWILD SOUTH OF MADISON CO. | |
| PROJECT CITY CANTON | |
| DATE | DESCRIPTION CONSTRUCTION |
| SHEET 009 | DRAWN BY DELTA FIBER |
| SCALE 1"=50' | PAGE 9 |

MATERIALS LIST

| ITEM | DESCRIPTION | QTY. |
|------|----------------------|------|
| 1 | TRIDENT RTD 1X12 | 100 |
| 2 | TRIDENT RTD 1X12 | 100 |
| 3 | TRIDENT RTD 1X12 | |
| 4 | TRIDENT RTD 1X12 | |
| 5 | 24 CT FOC | |
| 6 | 24 CT FOC LOOP | |
| 7 | 48 CT FOC | 781 |
| 8 | 48 CT FOC LOOP | 150 |
| 9 | 72 CT FOC | |
| 10 | 72 CT FOC LOOP | |
| 11 | 144 CT FOC | |
| 12 | 144 CT FOC LOOP | |
| 13 | 288 CT FOC | |
| 14 | 288 CT FOC LOOP | |
| 15 | BDO288P LCP | |
| 16 | UH2 | 7 |
| 17 | UH3 | 2 |
| 18 | UH4 | |
| 19 | UH5 | |
| 20 | 1-1.25" SDR11 HDPE | 205 |
| 21 | 2-1.25" SDR11 HDPE | 1170 |
| 22 | 3-1.25" SDR11 HDPE | 67 |
| 23 | 4-1.25" SDR11 HDPE | |
| 24 | 5-1.25" SDR11 HDPE | |
| 25 | 6-1.25" SDR11 HDPE | |
| 26 | TYCO "B" SPLICE CASE | 2 |
| 27 | TYCO "D" SPLICE CASE | |
| 28 | GROUND ROD | 2 |
| 29 | SPLICES | 72 |
| 30 | BM53FA | 2 |

REVISIONS

| No. | Revision/Issue | Date |
|-----|----------------|------|
| | | |
| | | |

MAP NUMBER

| | | |
|----|---|---|
| 12 | 4 | 5 |
| 10 | 8 | 6 |
| 11 | 8 | 7 |

PREPARED BY



PREPARED FOR



DISCLAIMER

EXCEPT AS MAY BE OTHERWISE PROVIDED BY CONTRACT, THESE DRAWINGS AND SPECIFICATIONS SHALL REMAIN THE PROPERTY OF CSPIRE FIBER. BEING ISSUED IN STRICT CONFIDENCE AND SHALL NOT BE REPRODUCED, COPIED, OR USED FOR ANY PURPOSE WITHOUT SPECIFIC WRITTEN PERMISSION.

ALL CABLE WILL BE PLACED BY METHOD OF DIRECTIONAL BORE MIN 2' OFF ROW OR EASEMENT @ 42" DOC UNLESS OTHERWISE NOTED.

NOTIFY ALL UTILITIES 72 HOURS PRIOR TO CONSTRUCTION ACTIVITY.
ONE CALL SYSTEM @ 1-800-227-6477

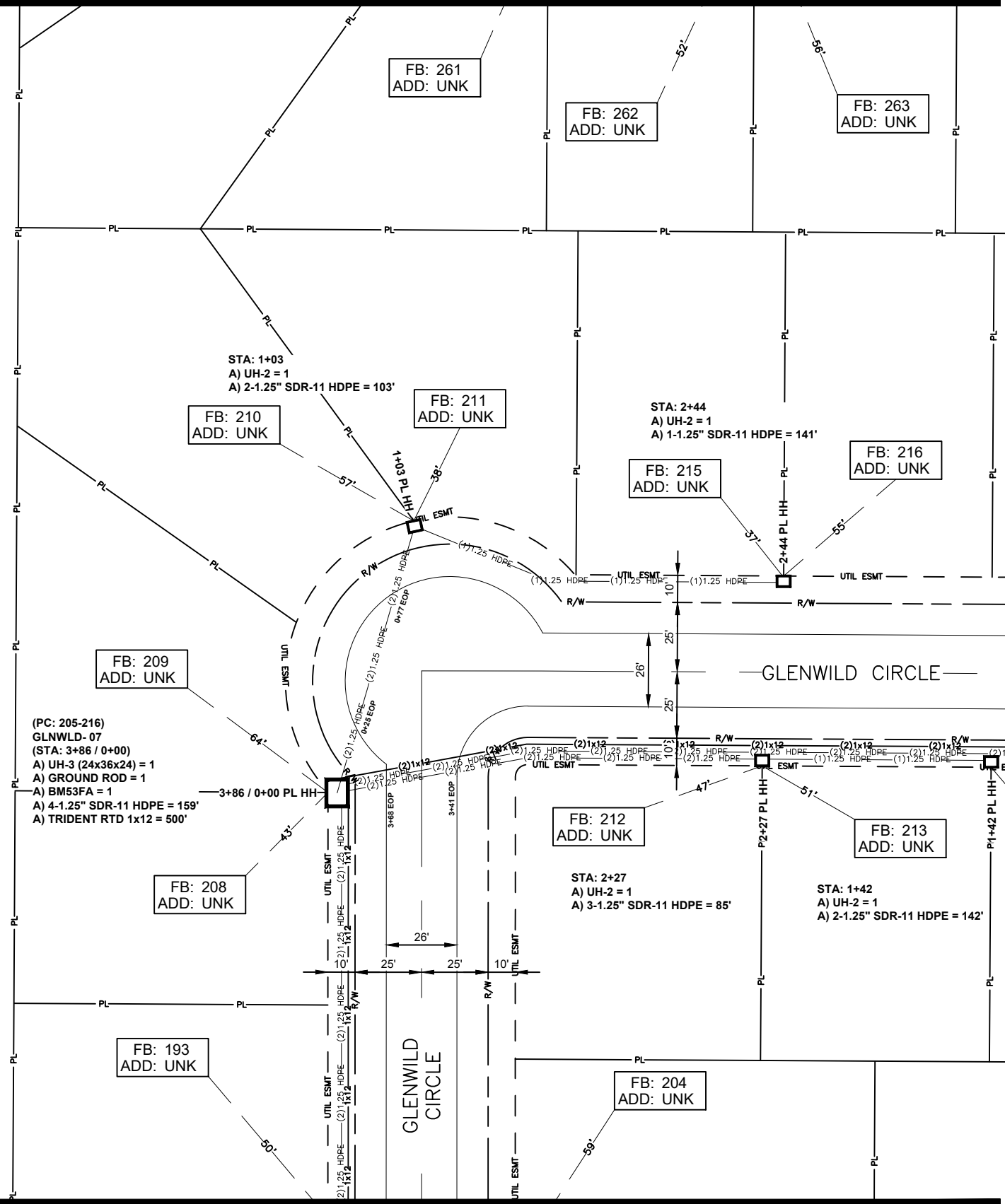
SEE SHEET 10

SEE SHEET 6

SEE SHEET 8



SEE SHEET 12



SEE SHEET 9

SEE SHEET 11

JOB DESCRIPTION

| | |
|---|-----------------------------|
| PROJECT NAME GLENWILD SOUTH OF MADISON CO. | |
| PROJECT CITY CANTON | |
| DATE | DESCRIPTION CONSTRUCTION |
| SHEET 010 | DRAWN BY DELTA FIBER |
| SCALE 1"=50' | PAGE 10 |

MATERIALS LIST

| ITEM | DESCRIPTION | QTY. |
|------|----------------------|------|
| 1 | TRIDENT RTD 1X12 | 500 |
| 2 | TRIDENT RTD 1X12 | |
| 3 | TRIDENT RTD 1X12 | |
| 4 | TRIDENT RTD 1X12 | |
| 5 | 24 CT FOC | |
| 6 | 24 CT FOC LOOP | |
| 7 | 48 CT FOC | |
| 8 | 48 CT FOC LOOP | |
| 9 | 72 CT FOC | |
| 10 | 72 CT FOC LOOP | |
| 11 | 144 CT FOC | |
| 12 | 144 CT FOC LOOP | |
| 13 | 288 CT FOC | |
| 14 | 288 CT FOC LOOP | |
| 15 | BDO288P LCP | |
| 16 | UH2 | 4 |
| 17 | UH3 | 1 |
| 18 | UH4 | |
| 19 | UH5 | |
| 20 | 1-1.25" SDR11 HDPE | 141 |
| 21 | 2-1.25" SDR11 HDPE | 245 |
| 22 | 3-1.25" SDR11 HDPE | 85 |
| 23 | 4-1.25" SDR11 HDPE | 159 |
| 24 | 5-1.25" SDR11 HDPE | |
| 25 | 6-1.25" SDR11 HDPE | |
| 26 | TYCO "B" SPLICE CASE | |
| 27 | TYCO "D" SPLICE CASE | |
| 28 | GROUND ROD | 1 |
| 29 | SPLICES | |
| 30 | BM53FA | 1 |

REVISIONS

| No. | Revision/Issue | Date |
|-----|----------------|------|
| | | |
| | | |

| MAP NUMBER | |
|------------|---|
| 12 | 4 |
| 10 | 9 |
| 11 | 8 |

PREPARED BY



PREPARED FOR



DISCLAIMER

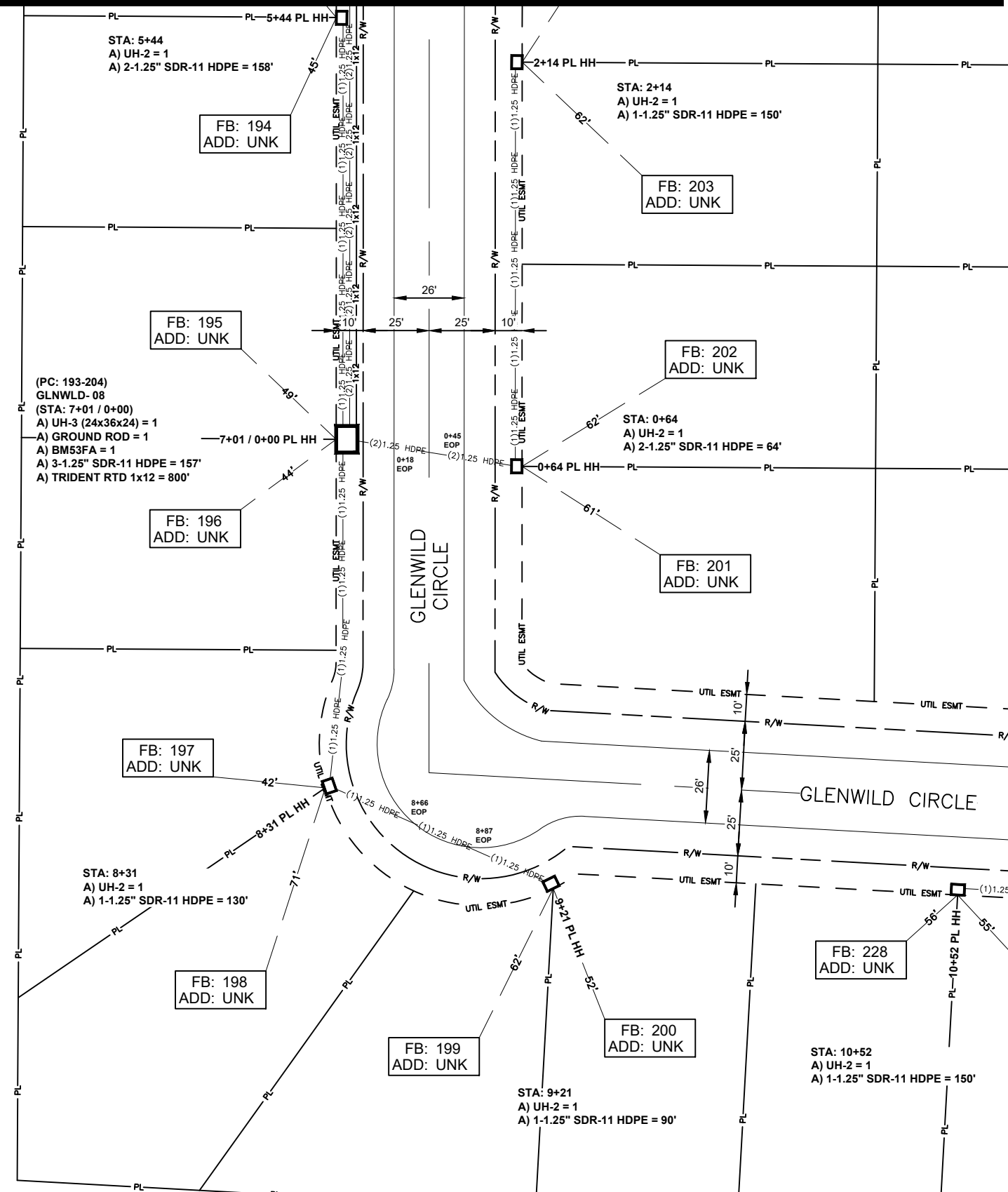
EXCEPT AS MAY BE OTHERWISE PROVIDED BY CONTRACT, THESE DRAWINGS AND SPECIFICATIONS SHALL REMAIN THE PROPERTY OF CSPIRE FIBER. NO REISSUES OR REVISIONS WILL BE ISSUED IN STRICT CONFIDENCE AND SHALL NOT BE REPRODUCED, COPIED, OR USED FOR ANY PURPOSE WITHOUT SPECIFIC WRITTEN PERMISSION.

ALL CABLE WILL BE PLACED BY METHOD OF DIRECTIONAL BORE MIN 2' OFF ROW OR EASEMENT @ 42" DOC UNLESS OTHERWISE NOTED.

NOTIFY ALL UTILITIES 72 HOURS PRIOR TO CONSTRUCTION ACTIVITY.
ONE CALL SYSTEM @ 1-800-227-6477



SEE SHEET 10



SEE SHEET 8

JOB DESCRIPTION

| | |
|---|-----------------------------|
| PROJECT NAME GLENWILD SOUTH OF MADISON CO. | |
| PROJECT CITY CANTON | |
| DATE | DESCRIPTION CONSTRUCTION |
| SHEET 011 | DRAWN BY DELTA FIBER |
| SCALE 1"=50' | PAGE 11 |

MATERIALS LIST

| ITEM | DESCRIPTION | QTY. |
|------|----------------------|------|
| 1 | TRIDENT RTD 1X12 | 800 |
| 2 | TRIDENT RTD 1X12 | |
| 3 | TRIDENT RTD 1X12 | |
| 4 | TRIDENT RTD 1X12 | |
| 5 | 24 CT FOC | |
| 6 | 24 CT FOC LOOP | |
| 7 | 48 CT FOC | |
| 8 | 48 CT FOC LOOP | |
| 9 | 72 CT FOC | |
| 10 | 72 CT FOC LOOP | |
| 11 | 144 CT FOC | |
| 12 | 144 CT FOC LOOP | |
| 13 | 288 CT FOC | |
| 14 | 288 CT FOC LOOP | |
| 15 | BDO288P LCP | |
| 16 | UH2 | 6 |
| 17 | UH3 | 1 |
| 18 | UH4 | |
| 19 | UH5 | |
| 20 | 1-1.25" SDR11 HDPE | 520 |
| 21 | 2-1.25" SDR11 HDPE | 222 |
| 22 | 3-1.25" SDR11 HDPE | 157 |
| 23 | 4-1.25" SDR11 HDPE | |
| 24 | 5-1.25" SDR11 HDPE | |
| 25 | 6-1.25" SDR11 HDPE | |
| 26 | TYCO "B" SPLICE CASE | |
| 27 | TYCO "D" SPLICE CASE | |
| 28 | GROUND ROD | 1 |
| 29 | SPLICES | |
| 30 | BM53FA | 1 |

REVISIONS

| No. | Revision/Issue | Date |
|-----|----------------|------|
| | | |
| | | |

| MAP NUMBER | |
|------------|---|
| 10 | 9 |
| 11 | 8 |

PREPARED BY



PREPARED FOR



DISCLAIMER

EXCEPT AS MAY BE OTHERWISE PROVIDED BY CONTRACT, THESE DRAWINGS AND SPECIFICATIONS SHALL REMAIN THE PROPERTY OF CSPIRE FIBER. BEING ISSUED IN STRICT CONFIDENCE AND SHALL NOT BE REPRODUCED, COPIED, OR USED FOR ANY PURPOSE WITHOUT SPECIFIC WRITTEN PERMISSION.

ALL CABLE WILL BE PLACED BY METHOD OF DIRECTIONAL BORE MIN 2' OFF ROW OR EASEMENT @ 42" DOC UNLESS OTHERWISE NOTED.

NOTIFY ALL UTILITIES 72 HOURS PRIOR TO CONSTRUCTION ACTIVITY.
ONE CALL SYSTEM @ 1-800-227-6477



JOB DESCRIPTION

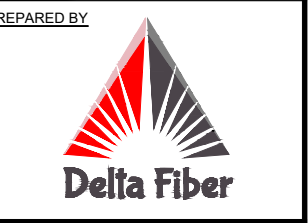
| | |
|---|-----------------------------|
| PROJECT NAME GLENWILD SOUTH OF MADISON CO. | |
| PROJECT CITY CANTON | |
| DATE | DESCRIPTION CONSTRUCTION |
| SHEET 013 | DRAWN BY DELTA FIBER |
| SCALE 1"=50' | PAGE 13 |

MATERIALS LIST

| ITEM | DESCRIPTION | QTY. |
|------|----------------------|------|
| 1 | TRIDENT RTD 1X12 | |
| 2 | TRIDENT RTD 1X12 | |
| 3 | TRIDENT RTD 1X12 | |
| 4 | TRIDENT RTD 1X12 | |
| 5 | 24 CT FOC | |
| 6 | 24 CT FOC LOOP | |
| 7 | 48 CT FOC | |
| 8 | 48 CT FOC LOOP | |
| 9 | 72 CT FOC | |
| 10 | 72 CT FOC LOOP | |
| 11 | 144 CT FOC | |
| 12 | 144 CT FOC LOOP | |
| 13 | 288 CT FOC | |
| 14 | 288 CT FOC LOOP | |
| 15 | BDO288P LCP | |
| 16 | UH2 | 6 |
| 17 | UH3 | |
| 18 | UH4 | |
| 19 | UH5 | |
| 20 | 1-1.25" SDR11 HDPE | 677 |
| 21 | 2-1.25" SDR11 HDPE | |
| 22 | 3-1.25" SDR11 HDPE | 73 |
| 23 | 4-1.25" SDR11 HDPE | |
| 24 | 5-1.25" SDR11 HDPE | |
| 25 | 6-1.25" SDR11 HDPE | |
| 26 | TYCO "B" SPLICE CASE | |
| 27 | TYCO "D" SPLICE CASE | |
| 28 | GROUND ROD | |
| 29 | SPLICES | |
| 30 | BM53FA | |

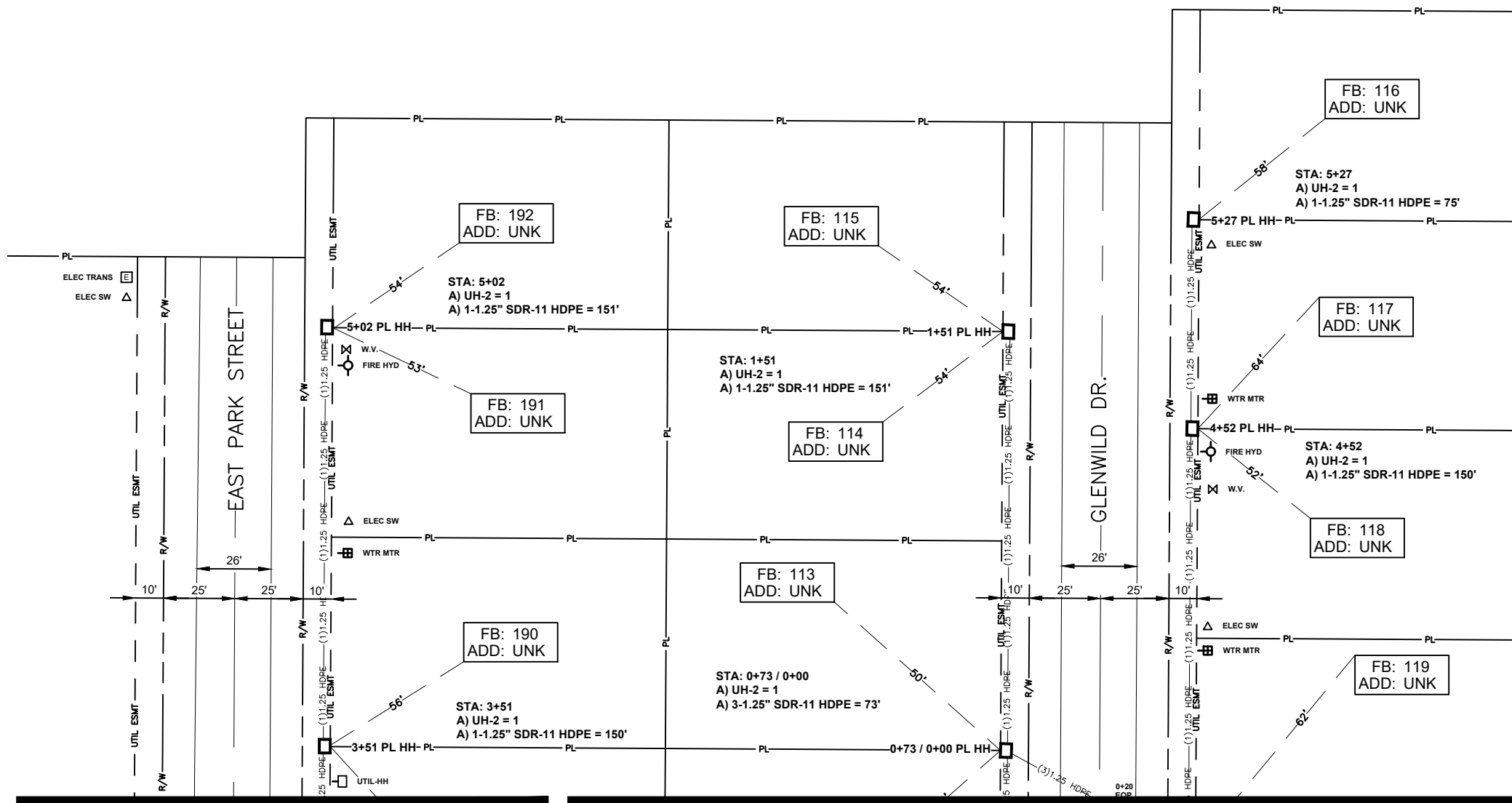
REVISIONS

| No. | Revision/Issue | Date |
|-----|----------------|------|
| | | |
| | | |



DISCLAIMER

EXCEPT AS MAY BE OTHERWISE PROVIDED BY CONTRACT, THESE DRAWINGS AND SPECIFICATIONS SHALL REMAIN THE PROPERTY OF CSPIRE FIBER. BEING ISSUED IN STRICT CONFIDENCE AND SHALL NOT BE REPRODUCED, COPIED, OR USED FOR ANY PURPOSE WITHOUT SPECIFIC WRITTEN PERMISSION.



SEE SHEET 4

SEE SHEET 5

ALL CABLE WILL BE PLACED BY METHOD OF DIRECTIONAL BORE MIN 2' OFF ROW OR EASEMENT @ 42" DOC UNLESS OTHERWISE NOTED.

NOTIFY ALL UTILITIES 72 HOURS PRIOR TO CONSTRUCTION ACTIVITY.
ONE CALL SYSTEM @ 1-800-227-6477

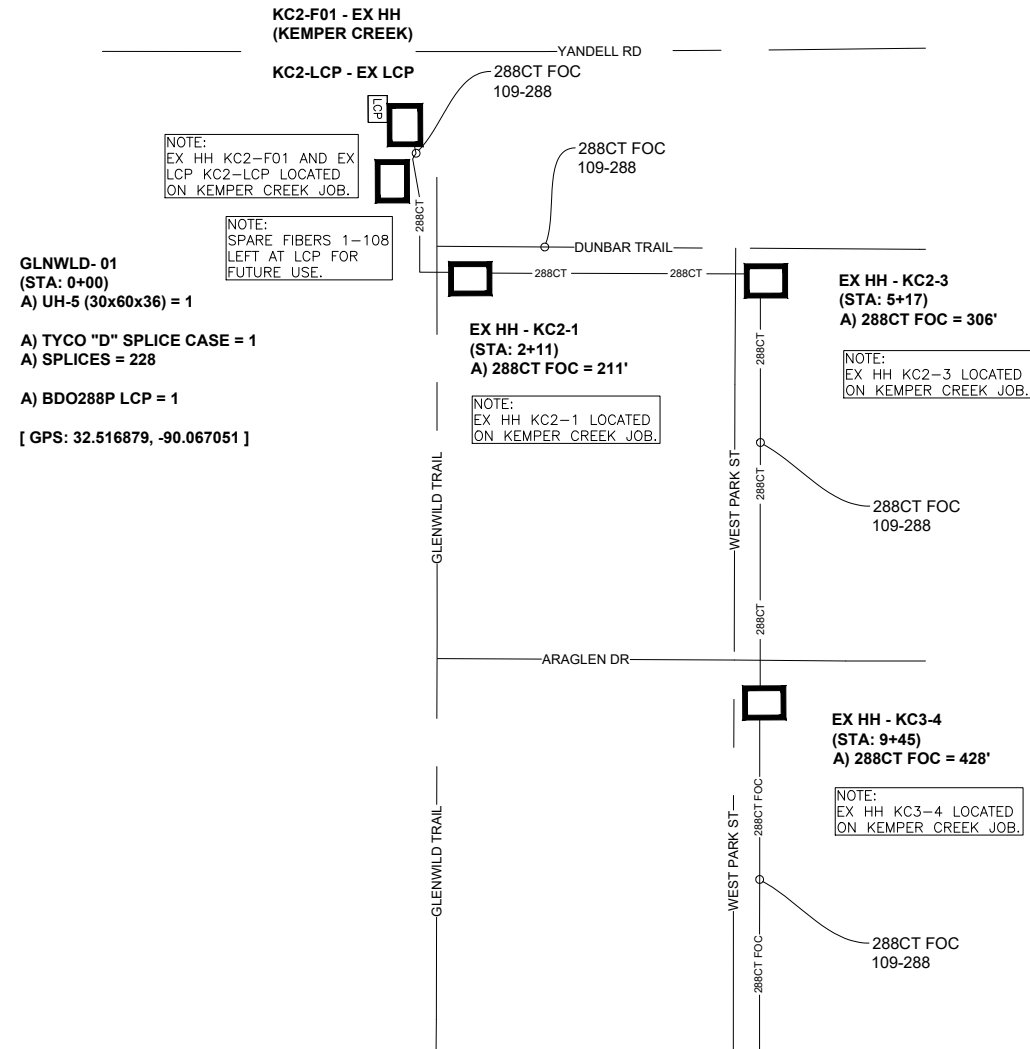


JOB DESCRIPTION

| | |
|---|-----------------------------|
| PROJECT NAME GLENWILD SOUTH OF MADISON CO. | |
| PROJECT CITY CANTON | |
| DATE | DESCRIPTION CONSTRUCTION |
| SHEET 001 | DRAWN BY DELTA FIBER |
| SCALE NTS | PAGE 1 |

MATERIALS LIST

| ITEM | DESCRIPTION | QTY. |
|------|----------------------|------|
| 1 | TRIDENT RTD 1X12 | |
| 2 | TRIDENT RTD 1X12 | |
| 3 | TRIDENT RTD 1X12 | |
| 4 | TRIDENT RTD 1X12 | |
| 5 | 24 CT FOC | |
| 6 | 24 CT FOC LOOP | |
| 7 | 48 CT FOC | |
| 8 | 48 CT FOC LOOP | |
| 9 | 72 CT FOC | |
| 10 | 72 CT FOC LOOP | |
| 11 | 144 CT FOC | |
| 12 | 144 CT FOC LOOP | |
| 13 | 288 CT FOC | |
| 14 | 288 CT FOC LOOP | |
| 15 | BDO288P LCP | |
| 16 | UH2 | |
| 17 | UH3 | |
| 18 | UH4 | |
| 19 | UH5 | |
| 20 | 1-1.25" SDR11 HDPE | |
| 21 | 2-1.25" SDR11 HDPE | |
| 22 | 3-1.25" SDR11 HDPE | |
| 23 | 4-1.25" SDR11 HDPE | |
| 24 | 5-1.25" SDR11 HDPE | |
| 25 | 6-1.25" SDR11 HDPE | |
| 26 | TYCO "B" SPLICE CASE | |
| 27 | TYCO "D" SPLICE CASE | |
| 28 | GROUND ROD | |
| 29 | SPLICES | |
| 30 | BM53FA | |



REVISIONS

| No. | Revision/Issue | Date |
|-----|----------------|------|
| | | |

MAP NUMBER

| |
|---|
| 1 |
| 2 |

PREPARED BY



PREPARED FOR



DISCLAIMER

EXCEPT AS MAY BE OTHERWISE PROVIDED BY CONTRACT, THESE DRAWINGS AND SPECIFICATIONS SHALL REMAIN THE PROPERTY OF CSPIRE FIBER. BEING ISSUED IN STRICT CONFIDENCE AND SHALL NOT BE REPRODUCED, COPIED, OR USED FOR ANY PURPOSE WITHOUT SPECIFIC WRITTEN PERMISSION.

SEE SCHEMATIC 2

ALL CABLE WILL BE PLACED BY METHOD OF DIRECTIONAL BORE MIN 2' OFF ROW OR EASEMENT @ 42" DOC UNLESS OTHERWISE NOTED.

NOTIFY ALL UTILITIES 72 HOURS PRIOR TO CONSTRUCTION ACTIVITY.
ONE CALL SYSTEM @ 1-800-227-6477



SEE SCHEMATIC 1

(PC: 241-252)
GLNWLD- 04
(STA: 3+76 / 0+00)
A) UH-3 (24x36x24) = 1
A) TRIDENT RTD 1x12 = 900'

(PC: 253-264)
GLNWLD- 03
(STA: 3+76 / 0+00)
A) UH-3 (24x36x24) = 1
A) TRIDENT RTD 1x12 = 500'

(PC: 205-216)
GLNWLD- 07
(STA: 3+86 / 0+00)
A) UH-3 (24x36x24) = 1
A) TRIDENT RTD 1x12 = 500'

(PC: 193-204)
GLNWLD- 08
(STA: 7+01 / 0+00)
A) UH-3 (24x36x24) = 1
A) TRIDENT RTD 1x12 = 800'

(PC: 217-228)
GLNWLD- 06
(STA: 9+02)
A) UH-3 (24x36x24) = 1
A) TRIDENT RTD 1x12 = 600'

(PC: 277-288)
GLNWLD- 01
(STA: 15+23 / 0+00)
A) UH-4 (30x48x36) = 1
A) 288CT FOC = 578'
A) TYCO "D" SPLICE CASE = 1
A) SPLICES = 12
A) TRIDENT RTD 1x12 = 100'

(PC: 265-276)
GLNWLD- 02
(STA: 18+56 / 0+00)
A) UH-4 (30x48x36) = 1
A) 288CT FOC = 333'
A) TYCO "D" SPLICE CASE = 1
A) SPLICES = 156
A) TRIDENT RTD 1x12 = 100'

(PC: 229-240)
GLNWLD- 05
(STA: 3+95 / 0+00)
A) UH-3 (24x36x24) = 1
A) 48CT FOC = 395'
A) SPLICES = 48
A) TYCO "B" SPLICE CASE = 1
A) TRIDENT RTD 1x12 = 100'

(PC: 133-156)
GLNWLD- 12
(STA: 9+13 / 0+00)
A) UH-3 (24x36x24) = 1
A) 48CT FOC = 527'
A) TYCO "B" SPLICE CASE = 1
A) SPLICES = 24
A) TRIDENT RTD 1x12 = 100'
A) TRIDENT RTD 1x12 = 100'

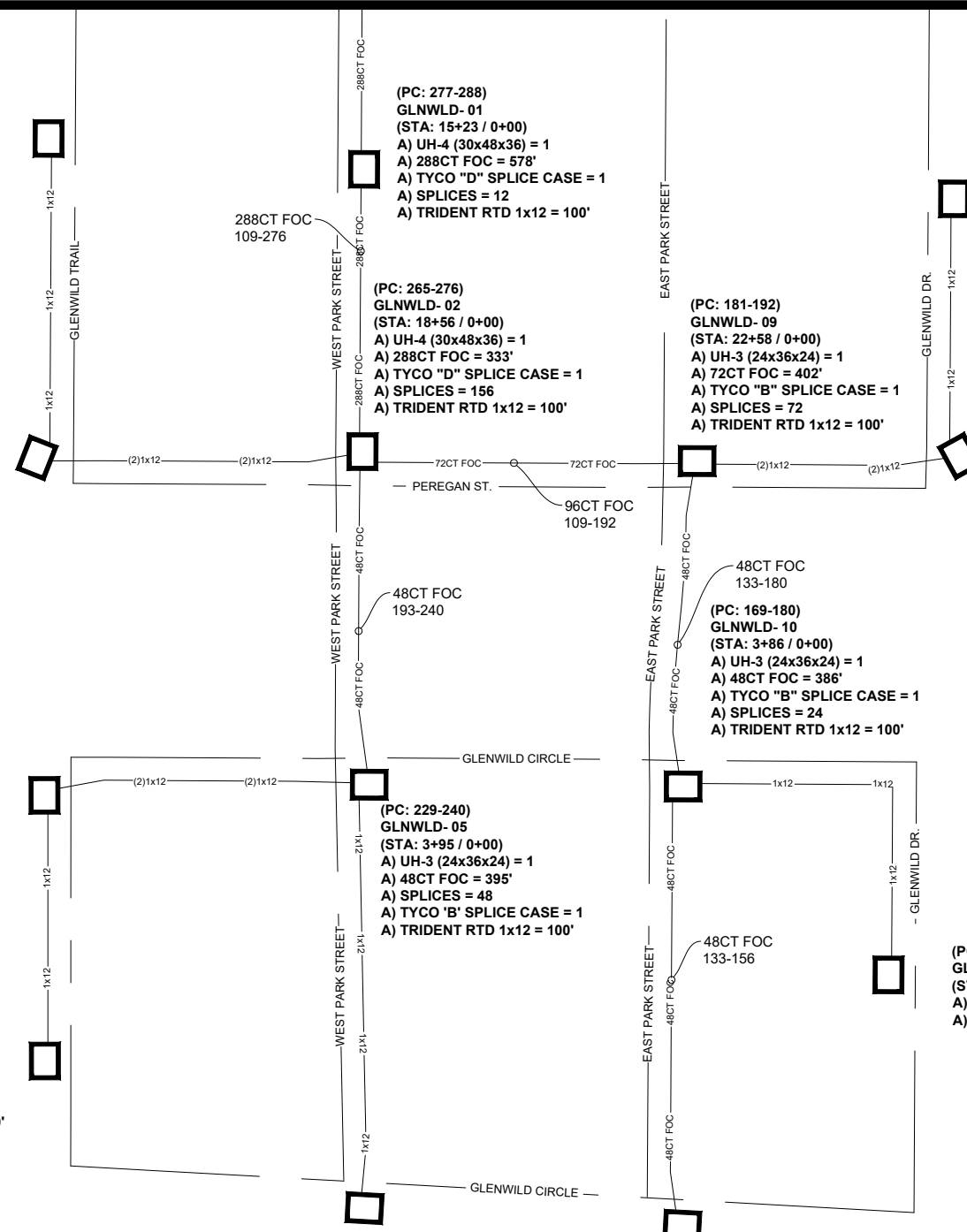
(PC: 181-192)
GLNWLD- 09
(STA: 22+58 / 0+00)
A) UH-3 (24x36x24) = 1
A) 72CT FOC = 402'
A) TYCO "B" SPLICE CASE = 1
A) SPLICES = 72
A) TRIDENT RTD 1x12 = 100'

(PC: 169-180)
GLNWLD- 10
(STA: 3+86 / 0+00)
A) UH-3 (24x36x24) = 1
A) 48CT FOC = 386'
A) TYCO "B" SPLICE CASE = 1
A) SPLICES = 24
A) TRIDENT RTD 1x12 = 100'

(PC: 109-120)
GLNWLD- 14
(STA: 3+02 / 0+00)
A) UH-3 (24x36x24) = 1
A) TRIDENT RTD 1x12 = 700'

(PC: 121-132)
GLNWLD- 13
(STA: 25+61 / 0+00)
A) UH-3 (24x36x24) = 1
A) TRIDENT RTD 1x12 = 400'

(PC: 157-168)
GLNWLD- 11
(STA: 4+66 / 0+00)
A) UH-3 (24x36x24) = 1
A) TRIDENT RTD 1x12 = 600'



JOB DESCRIPTION

| | |
|---|-----------------------------|
| PROJECT NAME GLENWILD SOUTH OF MADISON CO. | |
| PROJECT CITY CANTON | |
| DATE | DESCRIPTION CONSTRUCTION |
| SHEET 002 | DRAWN BY DELTA FIBER |
| SCALE NTS | PAGE 2 |

MATERIALS LIST

| ITEM | DESCRIPTION | QTY. |
|------|----------------------|------|
| 1 | TRIDENT RTD 1X12 | |
| 2 | TRIDENT RTD 1X12 | |
| 3 | TRIDENT RTD 1X12 | |
| 4 | TRIDENT RTD 1X12 | |
| 5 | 24 CT FOC | |
| 6 | 24 CT FOC LOOP | |
| 7 | 48 CT FOC | |
| 8 | 48 CT FOC LOOP | |
| 9 | 72 CT FOC | |
| 10 | 72 CT FOC LOOP | |
| 11 | 144 CT FOC | |
| 12 | 144 CT FOC LOOP | |
| 13 | 288 CT FOC | |
| 14 | 288 CT FOC LOOP | |
| 15 | BDO288P LCP | |
| 16 | UH2 | |
| 17 | UH3 | |
| 18 | UH4 | |
| 19 | UH5 | |
| 20 | 1-1.25" SDR11 HDPE | |
| 21 | 2-1.25" SDR11 HDPE | |
| 22 | 3-1.25" SDR11 HDPE | |
| 23 | 4-1.25" SDR11 HDPE | |
| 24 | 5-1.25" SDR11 HDPE | |
| 25 | 6-1.25" SDR11 HDPE | |
| 26 | TYCO "B" SPLICE CASE | |
| 27 | TYCO "D" SPLICE CASE | |
| 28 | GROUND ROD | |
| 29 | SPLICES | |
| 30 | BM53FA | |

REVISIONS

| No. | Revision/Issue | Date |
|-----|----------------|------|
| | | |

MAP NUMBER

| | |
|---|---|
| 1 | 2 |
|---|---|

PREPARED BY



PREPARED FOR



DISCLAIMER

EXCEPT AS MAY BE OTHERWISE PROVIDED BY CONTRACT, THESE DRAWINGS AND SPECIFICATIONS SHALL REMAIN THE PROPERTY OF CSPIRE FIBER. BEING ISSUED IN STRICT CONFIDENCE AND SHALL NOT BE REPRODUCED, COPIED, OR USED FOR ANY PURPOSE WITHOUT SPECIFIC WRITTEN PERMISSION.

ALL CABLE WILL BE PLACED BY METHOD OF DIRECTIONAL BORE MIN 2' OFF ROW OR EASEMENT @ 42" DOC UNLESS OTHERWISE NOTED.

NOTIFY ALL UTILITIES 72 HOURS PRIOR TO CONSTRUCTION ACTIVITY.
ONE CALL SYSTEM @ 1-800-227-6477